

b

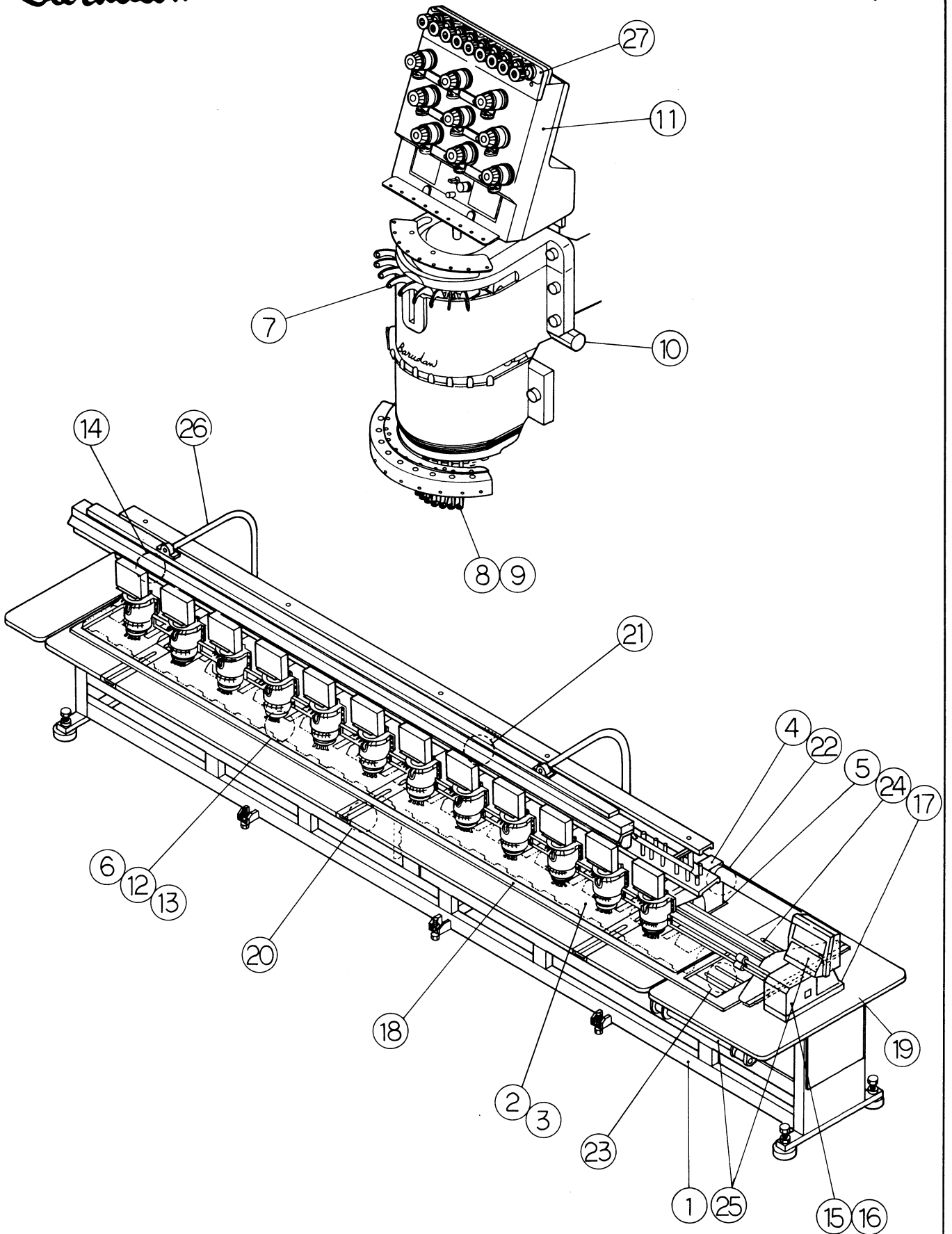
HIGH SPEED AUTOMATIC EMBROIDERY MACHINE

BENSME-YS/YN
BENRME-YS/YN

PARTS LIST

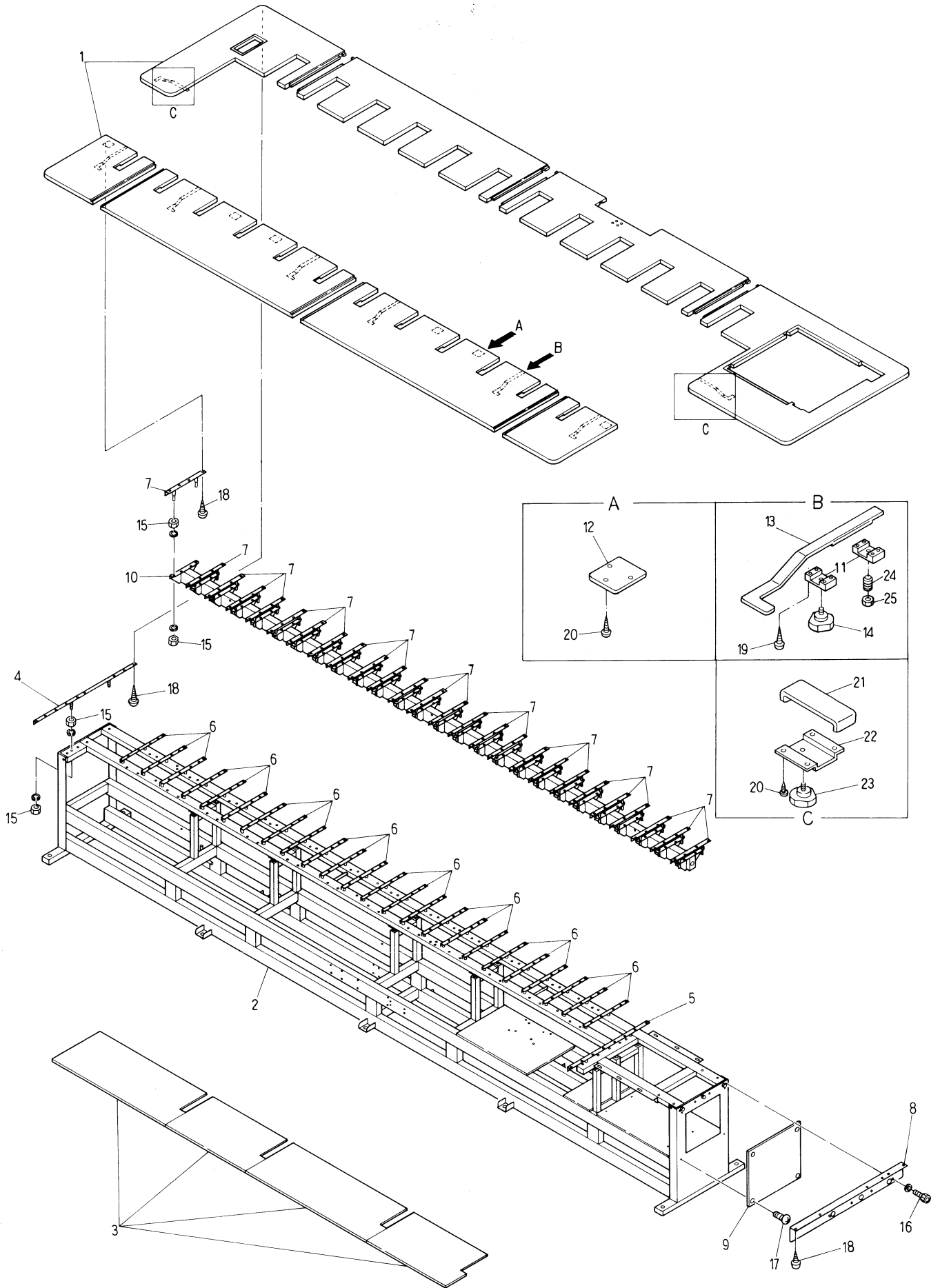
BENSME-YN/YS
 BENRME-YN/YS
 HIGH SPEED AUTOMATIC EMBROIDERY
 MACHINE PARTS LIST
 CONTENTS

ITEM NO.		PAGE NO
	Machine layout	1
1	Table- Frame	2
2	Table lifter mechanism I (Master machine)	4
3	Table lifter mechanism II (Master machine)	6
4	Sewing head a' ssy	8
5	Bed a'ssy	10
6	Automatic thread cutting mechanism I (Thread cutting section)	12
7	Take up lever mechanism	14
8	Needle bar mechanism I	16
9	Needle bar mechanism II	18
10	Jump a'ssy	20
11	Thread guide mechanism (YN/YS)	22
12	Automatic thread cutting mechanism II (Thread away section)	26
13	Automatic thread cutting mechanism III (Thread support section)	28
14	Automatic thread cutting mechanism IV (Drive mechanism)	30
15	Color change mechanism I	32
16	Color change mechanism II	34
17	Drive mechanism	36
18	Connecting shaft mechanism	38
19	Pantograph drive mechanism I (Pantograph cover)	40
20	Pantograph drive mechanism II (T-Pantograph relation)	42
21	Pantograph drive mechanism III (H-Direction Front)	44
22	Pantog raph drive mechanism IV (H-Direction Rear I)	46
23	Pantograph drive mechanism V (V-Direction-Rear II)	48
24	Pantograph drive mechanism VI (V-Direction -Front)	50
25	Pantograph drive mechanism VII (V-Direction -Rear)	52
26	Control system	54
27	Option	58
28	Thread guide mechanism(Lower thread sensorium) (YN/YS)	60



From the library of: Diamond Needle Corp

MODEL **BENRME-YN/YS**
BENSME-YN/YS

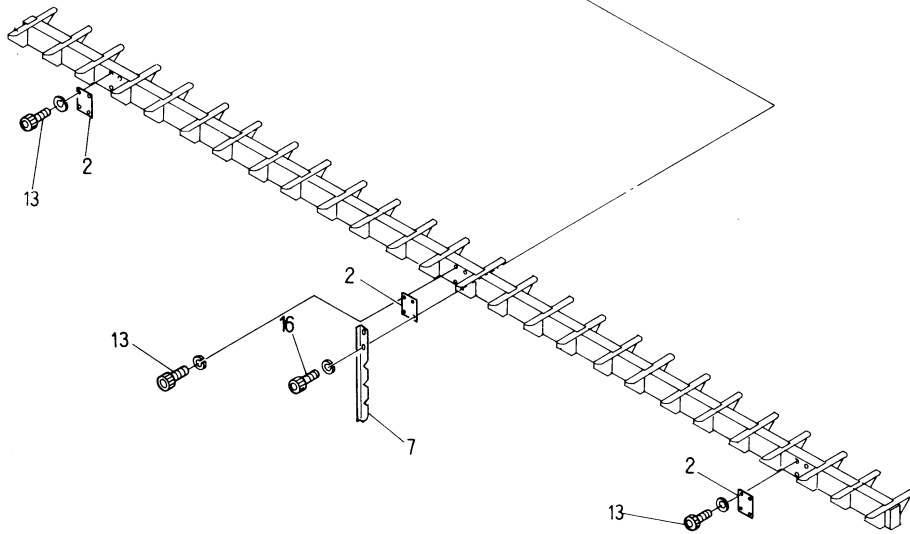
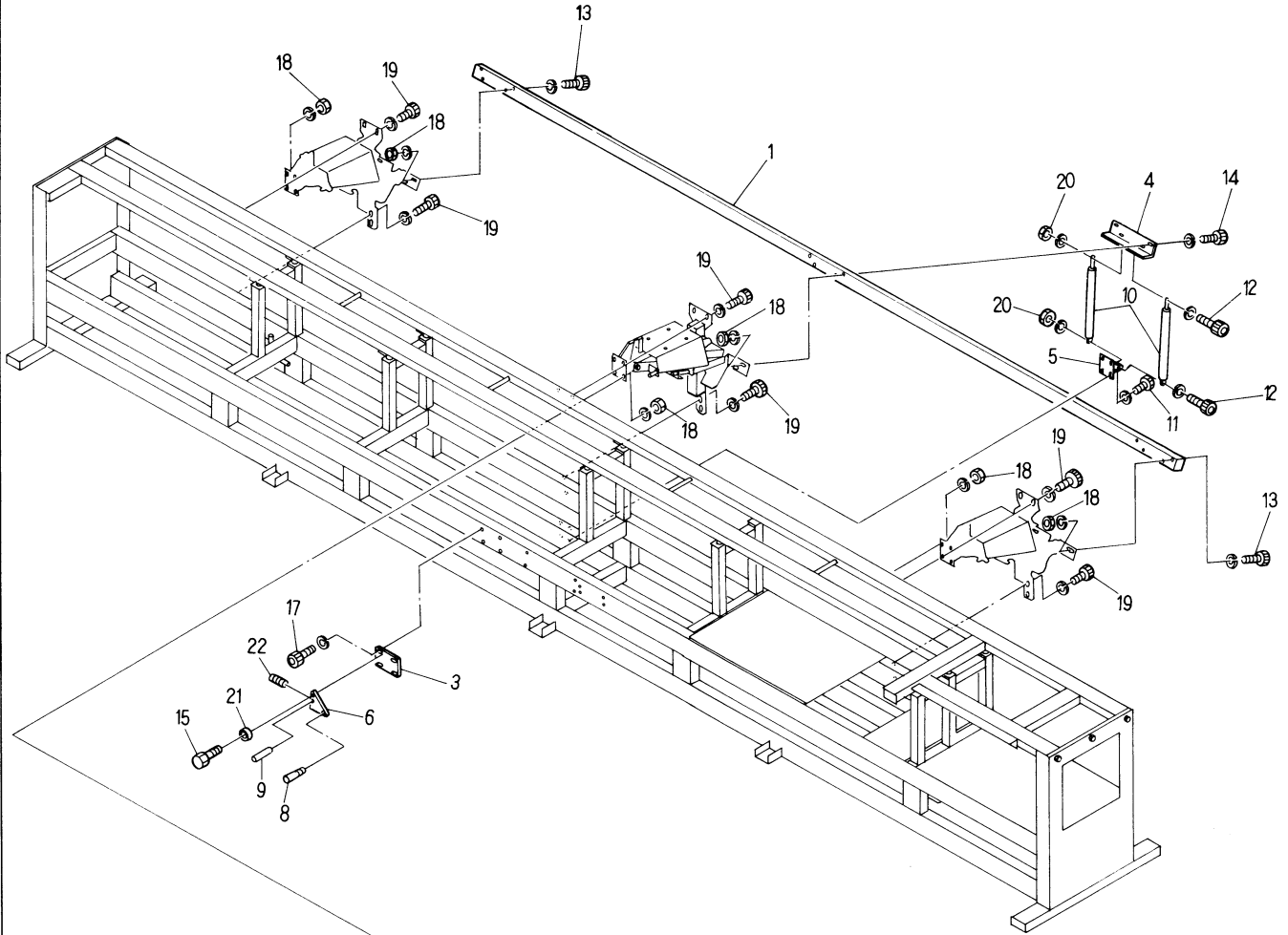


From the library of: Diamond Needle Corp

MODEL **BENRME-YN/YS**
BENSME-YN/YS

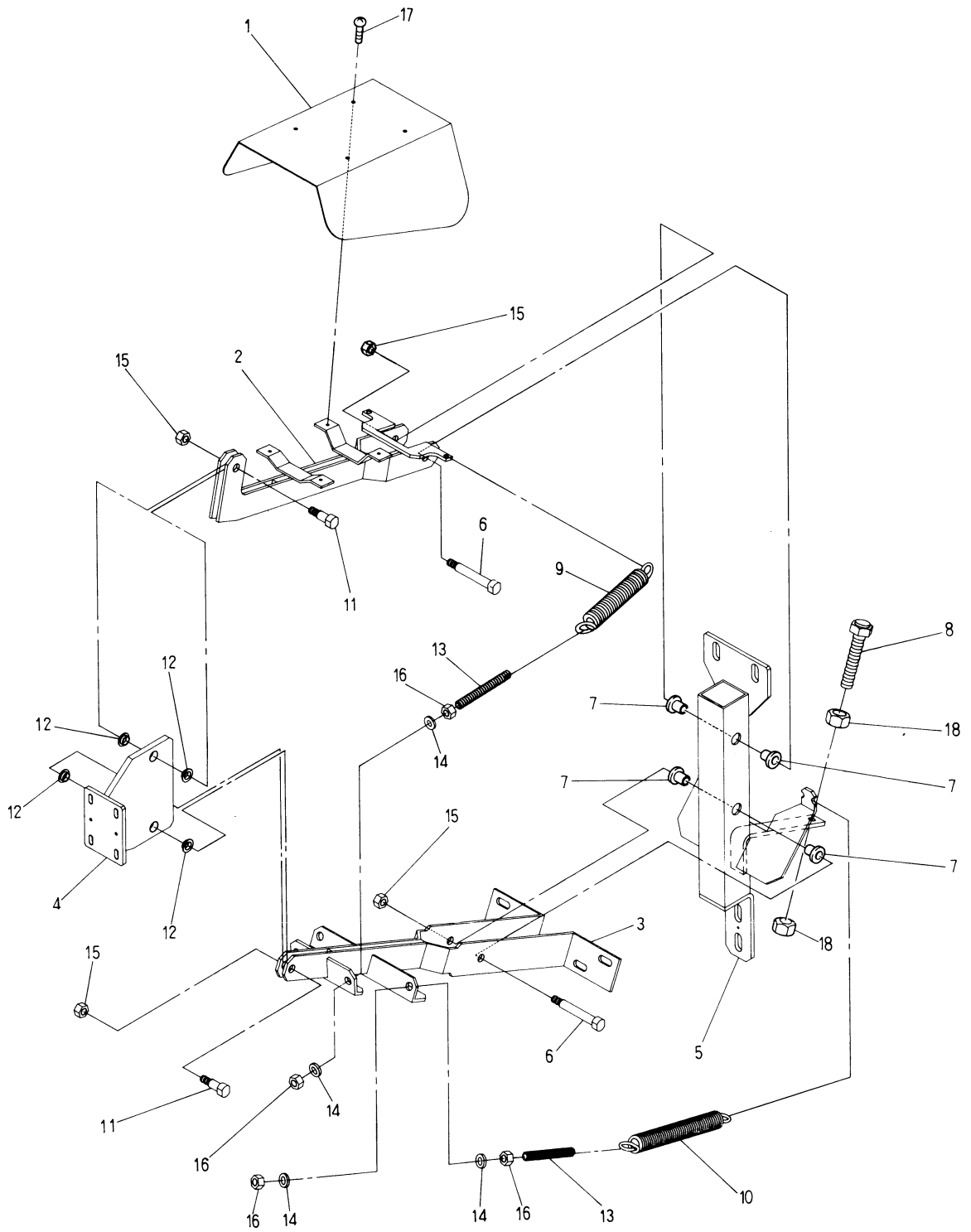
Barudan

② Table lifter mechanism I
(Master machine)



MODEL **BENRME-YN/YS**
BENSME-YN/YS

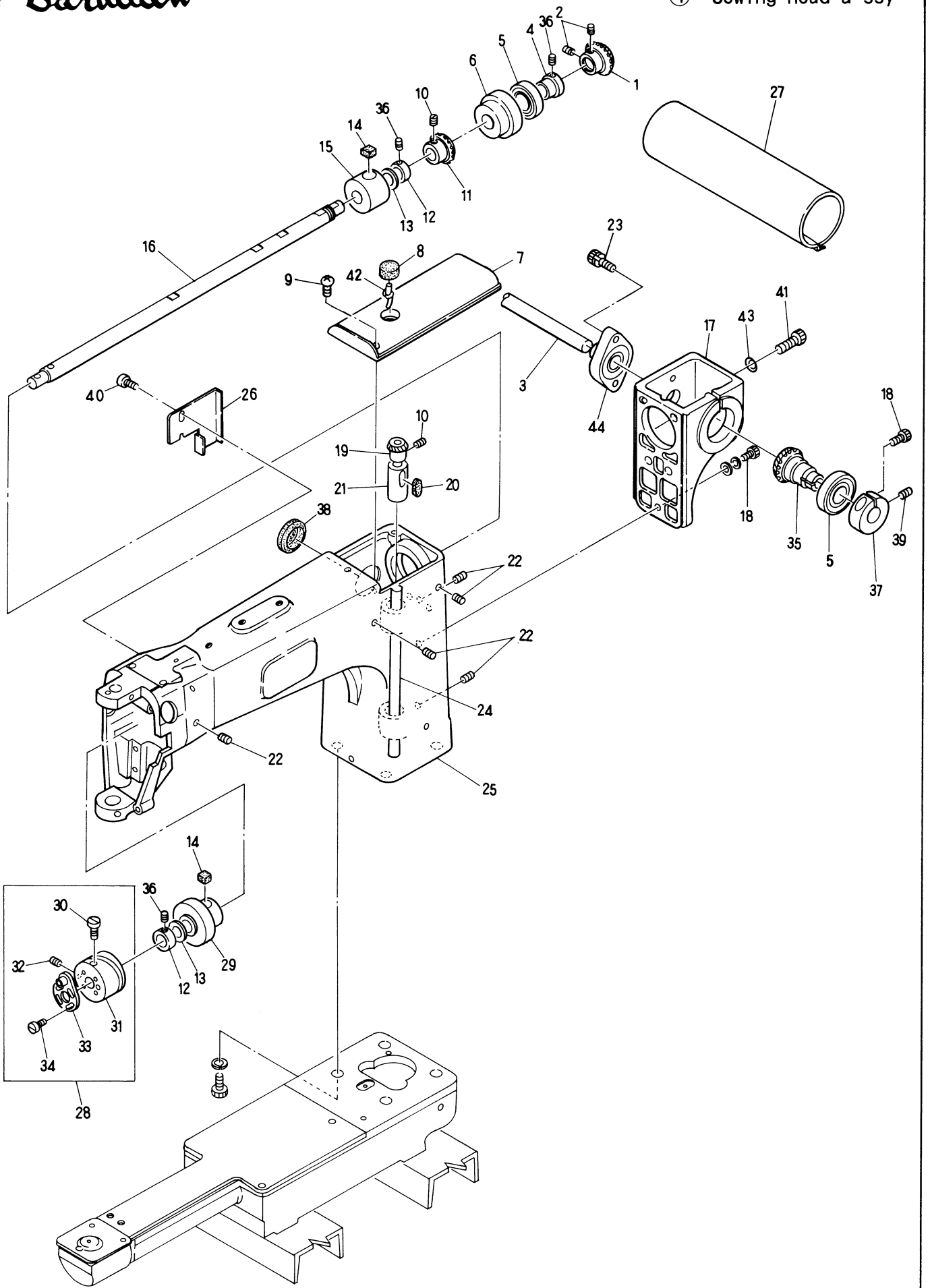
From the library of: Diamond Needle Corp



From the library of: Diamond Needle Corp

Barudan

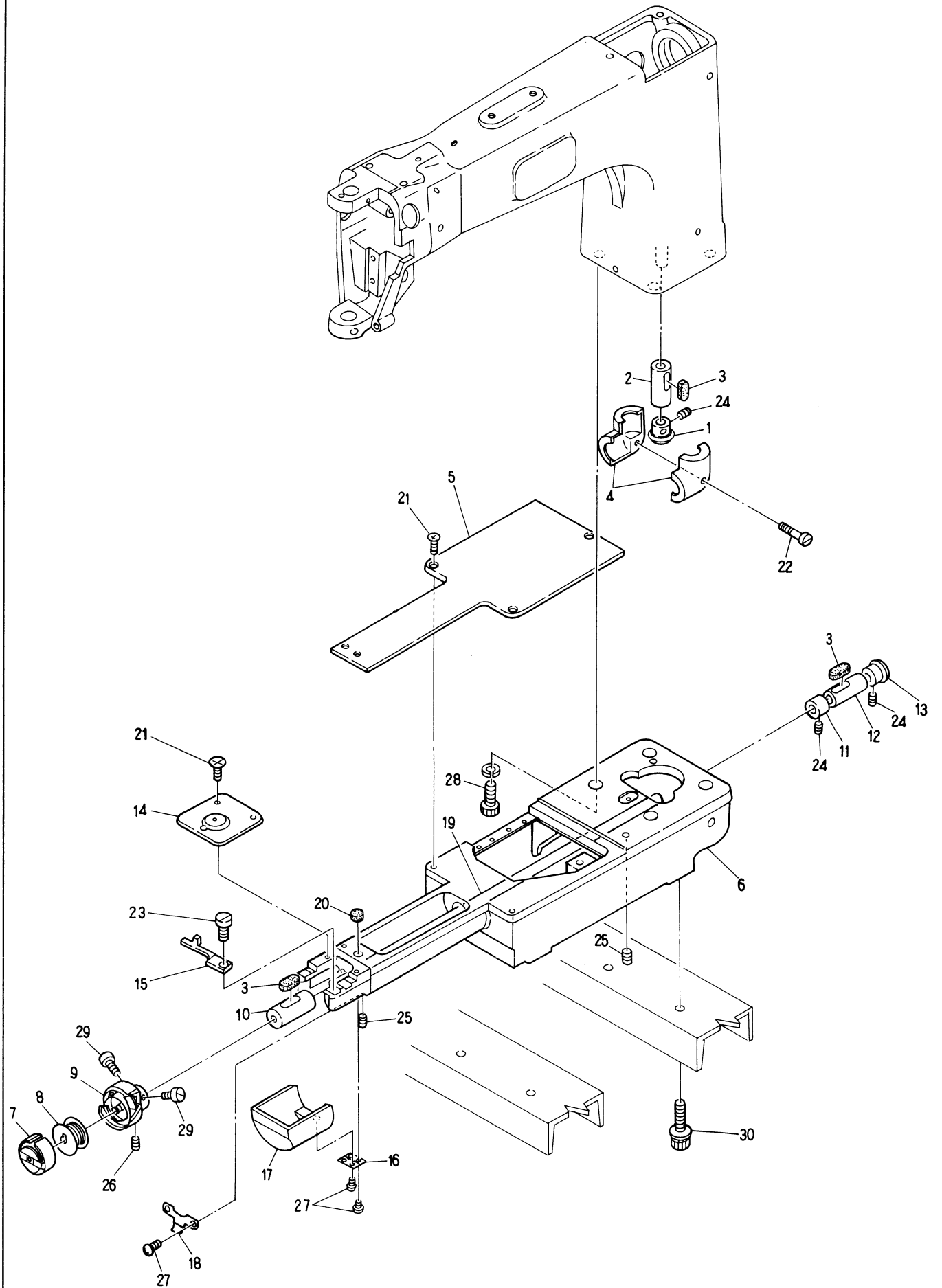
④ Sewing head a'ssy



From the library of: Diamond Needle Corp

MODEL **BENRME-YN/YS**
BENSME-YN/YS

ITEM	LIST No	DESCRIPTION	Q'TY	REMARK
1	KL220100	Upper gear (Ml. 5-25R)	H x 1	
2		Hex. socket set screw M6x6 (With adhesion)	Hx 2	
3		Upper connecting shaft 15		
4	KL220090	Upper gear rear bearing callor	H x 1	
5	A9010017	Bearing (6004ZZ)	H x 2	
6	KL220040	Upper gear rear bearing case	H x 1	
7	KL250040	Arm top cover	H x 1	
8	KL220150	Oil felt D	Hxl	
9		Truss screw M4 x10		
10		Screw (SM1/4 40 x 4)		
11	KF220130	Bevel gear (Upper)	H x 1	
12	KL220080	Upper shaft cal f or	H x 2	
13	HP231390	Thrust washer (Upper gear)	H x 2	
14	KL220130	Oil felt B	Hx2	
15	KL220030	Upper shaft middle metal	H x 1	
16	KL220000	Upper shaft	Hxl	
17	KL210140	Arm gear case	H x 1	
18		Hex. socket bolt M6 x 25		
19	KF220460	Bevel gear (Vertical shaft upper)	H x 1	
20	KL220140	Oil felt C	Hx1	
21	KL220050	Vertical metal (Upper)	H x 1	
22		Hex. socket set screw M6 x8		
23		Hex. socket screw M6 x 8 (With spring washer)		
24	KL220010	Vertical shaft	H x 1	
25	KB210160	Arm	Hx1	
26	KL250051	Arm side cable cover	H x 1	
27	1PKV12380	Shaft cover set (NSME-12)	1 Set	Choice and use
	1PKV15380	Shaft cover set (NSME-15)	1 Set	Choice and use
28	KB230010	Take up levercam K6 90° With crank	H x 1	
29	KL220020	Upper shaft front metal	H x 1	
30	KF230420	Take up lever cam set screw	H x 1	
31	KB230030	Take up lever cam K6	H x 1	
32		Screw (SM15/64 28X 10) (With adhesion)	H x 1	
33	KB230050	90° Crank	Hx1	
34	A9012007	Screw (SM11/64 40 X10) For bobbin	H x 1	
35	KL320000	Connecting gear (Spiral bevel M1. 5-25L)	H x 1	
36		Hex. socket set screw M6x6		
37	KL320020	Connecting gear clamp 019	H x 1	
38	A9014063	Grommet C-30-SG-36A	H x 1	
39		Hex. socket set screw M6 x10		
40		Truss screw M 4 x 8		
41		Hex. socket bolt M 6 x 6 0		
42	KC251330	Oil core L=75	Hx1	
43		Flush spring M 6		
44	HP321140	Top connecting shaft bearing unit	H x 1	



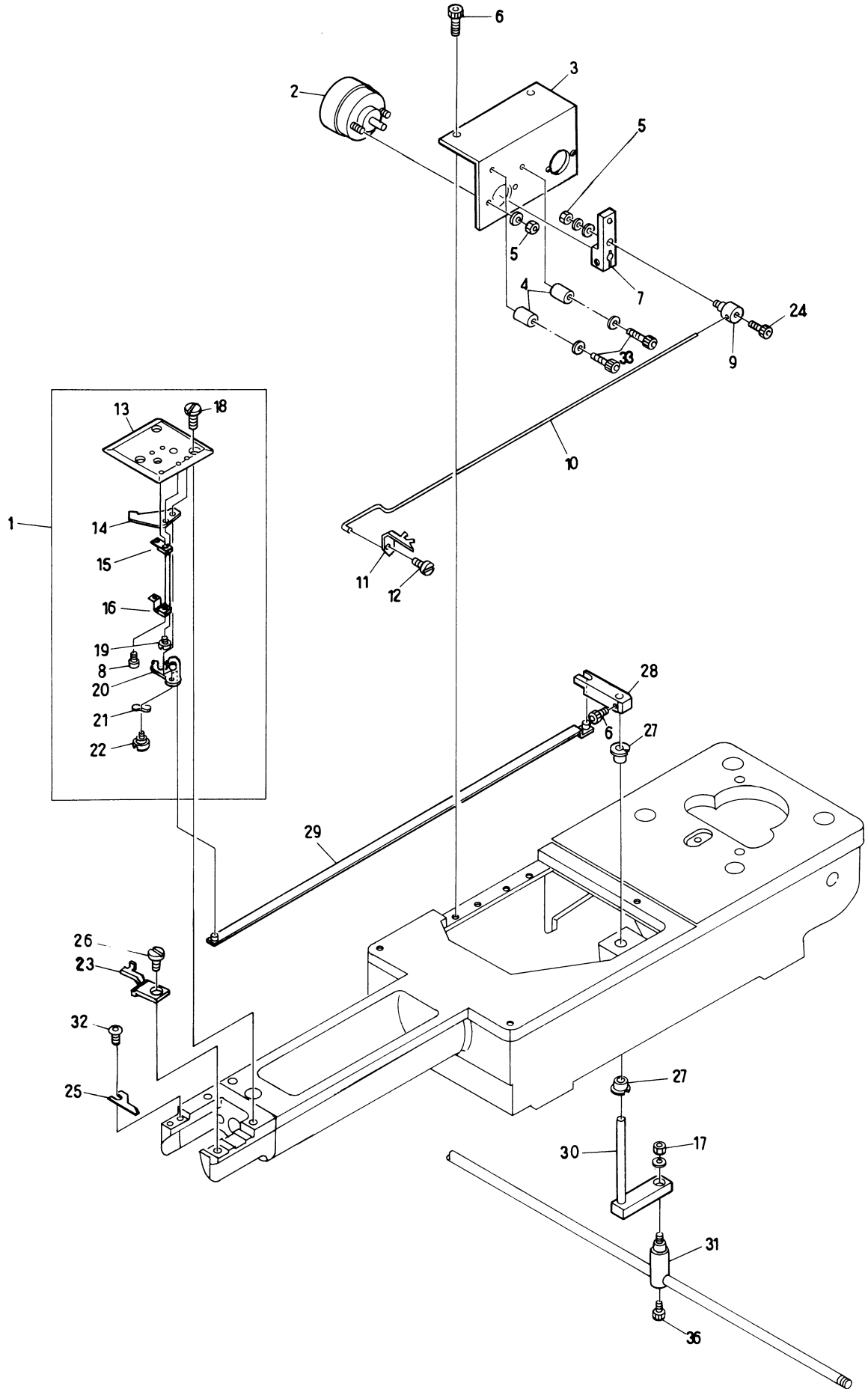
From the library of: Diamond Needle Corp

MODEL **BENRME-YN/YS**
BENSME-YN/YS

ITEM	LIST No	DESCRIPTION	Q'TY	REMARK
1	KF220470	Bevel gear (Vertical shaft upper)	H x 1	
2	KL220060	Vertical shaft metal (Lower)	H x 1	
3	KL220140	Oil felt C	Hx 3	
4	KF220271	Gear cover set	H x 1	
5	KL250071	Cylinder bed cover	H x 1	
6	KL210113	Bed (SRE-T)	H x 1	
7	KF220440	Bobbin case (SC-35-NS)	H x 1	
8	KF220410	Bobbin	Hxl	
9	KF220750	Bobbin KHS 12-R YNW(Tefron)	H x 1	
10	KF220230	Lower shaft metal (Front)	H x 1	
11	KF220290	Lower shaft collar	H x 1	
12	KL220070	Lower shaft metal (Rear)	H x 1	
13	KF220480	Bevel gear (Lower shaft)	H x 1	
14	MA250131	Needle plate	H x 1	
15	KC220650	Bobbin case	Hxl	
16	A9012027	Butterfly plate (TH-TM-72)	Hx 1	
17	KC250471	Bed cover	H x 1	
18	KC250482	Barrel bed cover spring	H x 1	
19	KC220210	Lower shaft	H x 1	
20	KL220120	Oil felt A	Hx1	
21	KF250900	Needle plate setscrew (SM11/64 40 x 7)	H x 6	
22		Pan screw M5 x 25	H x 1	
23	A9012007	Screw (SM11/64 40 x10)	H x 1	
24		Screw (SM1/4 40 x 4)		
25		Hex. socket set screw M6 x 8		
26		Screw (SM11/65 40 x 4)		
27		Truss pan screw M3 x6		
28		Hex. socket bolt M12 x 35		
29		Screw (SMI 1/65 40 x 5)		
30		Hex. socket bolt M8x22(With plain washer, spring		

Barudan

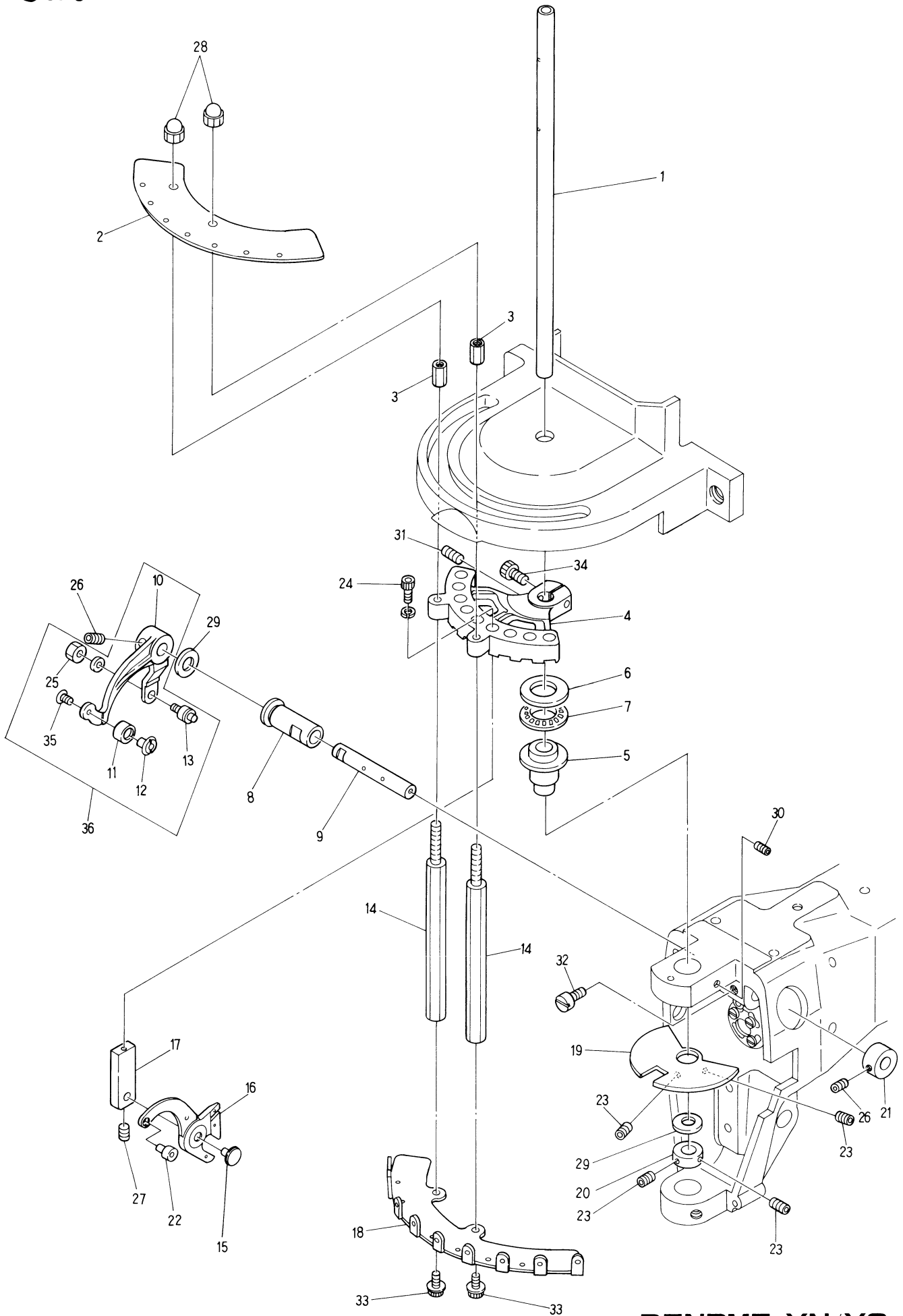
⑥ Automatic thread cutting mechanism I
(Thread cutting section)



From the library of: Diamond Needle Corp

MODEL BENRME-YN/YS
BENSME-YN/YS

ITEM	LIST No	DESCRIPTION	Q'TY	REMARK
1	KS270010	Needle plate a'ssy (MK-5)	H x 1	
2	A9056008	Rotary solenoid (3ER25 33 x3 x8 x9)	H x 1	
3	KC271960	Solenoid stay	H x 1	
4	KN272400	Stopper eccentric	H x 2	
5		Hex. nut M3		
6		Hex. socket bolt M4 x 8		
7	KC271940	Solenoid lever A	H x 1	
8		Pan screw M3 x 3		
9	KC271041	Connecting clamp	H x 1	
10	KC271031	Hook driving rod	H x 1	
11	KC271021	Hook	H x 1	
12	KC271001	Needle knife turret shaft	H x 1	
13	KL270380	Needle plate	Hx1	
14	KN270960	Fixing knife	Hxl	
15	HT270160	Lower thread support stay (Upper) CMP	H x 1	
16	HT270180	Lower thread support stay (Lower) CMP	H x 1	
17		Hex. nut M4		
18		Screw M3 x 3		
19	KC270980	Fixed knife set screw	Hxl	
20	KN270952	Driving knife	Hxl	
21	A9013066	Wave washer (WW5) (SK)	H x 1	
22	KC270970	Lower thread knife turret shaft	H x 1	
23	KC220650	Rotating hook bobbin case holder position bracket	H x 1	
24		Hex. socket bolt M3 x 5		
25	KB270020	Upper thread knife	Hx1	
26	A9012007	Screw (SM11/64 40 x 10)	H x 1	
27	A9012114	Bush with flange DU (MB0505-IOFDU)	H x 2	
28	KC271120	Lower thread knife driving lever (Upper)	H x 1	
29	KC271070	Lower thread knife driving rod	H x 1	
30	KC271130	Lower thread knife driving lever (Lower)	H x 1	
31	KF230640	Lock connecting bar clamp	H x 1	
32		Hex. socket button bolt M3x6		
33		Hex. socket bolt M4 x 18		

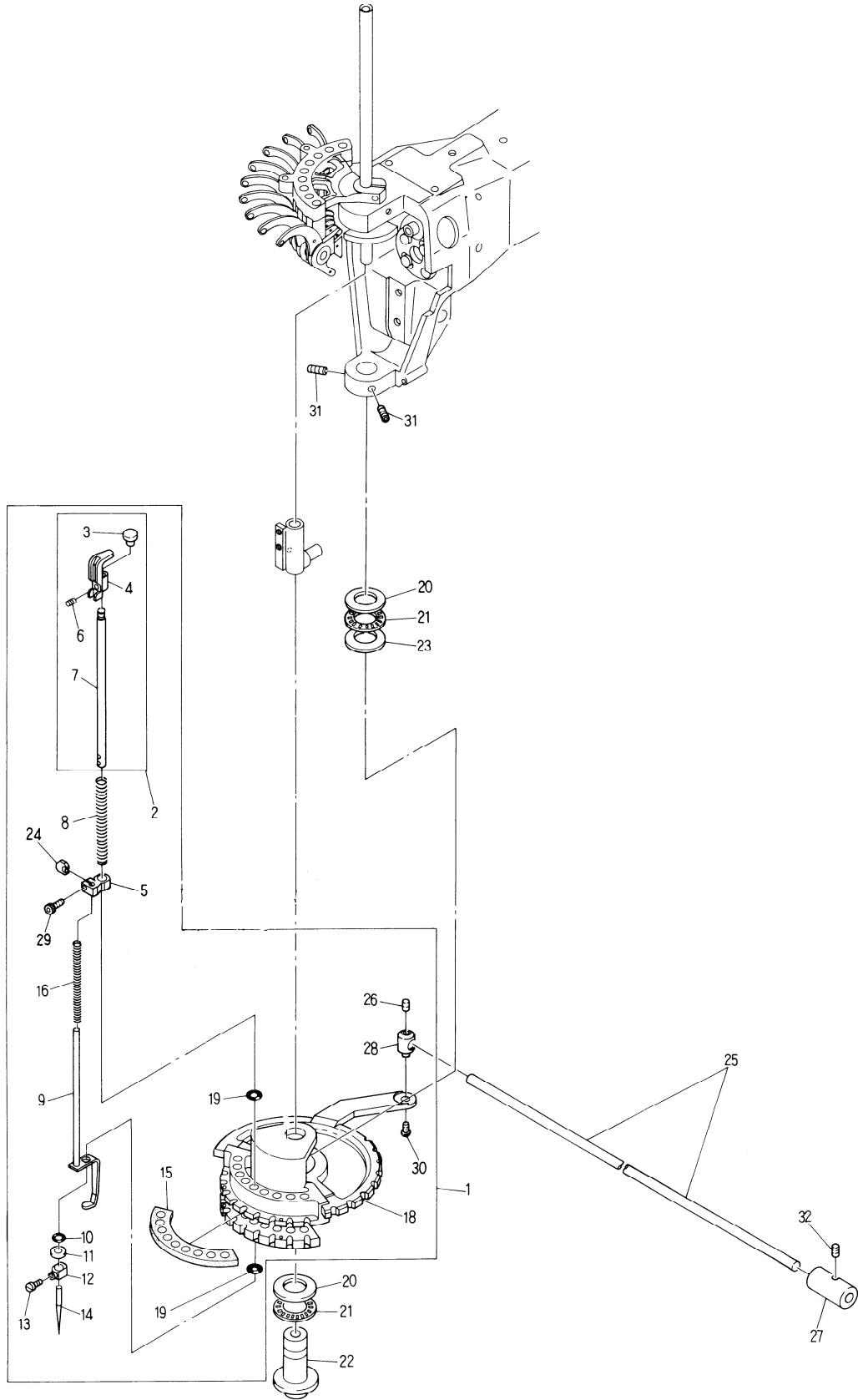


From the library of: Diamond Needle Corp

ITEM	LIST No.	DESCRIPTION	Q'TY	REMARK
1	KS230010	Driving shaft	HX1	
2	HT240000	Thread guide plate	H X 1	
3	KB240021	Thread guide fixing collar	H X 2	
4	HB230291	Take up lever fixing bracket	H X 1	
5	KB230090	Driving shaft upper metal	H X 1	
6	A9011152	Thrust needle bearing innerrig (WS1528)	H X 1	
7	A9011021	Thrust bearing NTB-1528	H X 1	
8	KB230100	Take up lever driving shaft metal	H X 1	
9	KB230110	Take up lever driving shaft	H X 1	
10	KT230031	Take up lever driving lever	H X 1	
11	HT230090	Take up lever driving roller	H X 1	
12	HT230100	Take up lever driving roller shaft	H X 1	
13	KF230500	Take up lever roller a' ssy	H X 1	
14	KB240010	Thread guide fixing rod	H X 2	
15	HT230080	Take up lever shaft	H X 9	
16	KT230040	Take up lever	H X 9	
17	KT230010	Take up lever base	H X 9	
18	HT240010	Thread hanger	H X 1	
19	KT230000	Take up lever s t tocker	H X 1	
20	HB230160	Driving shaft set collar	H X 1	
21	HB230270	Needle bar driving lever fixing pin set collar	H X 1	
22	HB230750	Take up lever thread eyelet ceramic	H X 9	
23		Hex. socket screw M4 X 4 (With adhesion)	H X 2	
24		Hex. bolt M3 X 14		
25		Hex. nut SM7/32		
26		Hex. socket set screw M5 X 6 (With adhesion)	H X 2	
27		Hex. socket set screw M3 x 4 (With adhesion)	H X 9	
28		Cap nut M4		
29	A9012164	Thrust washer (R-TW0815)	H X 2	
30		Hex. socket screw M6 X 6		
31		Hex. socket set screw M4 X5		
32		Screw (SM11/64 X 11)		
33		Hex. socket bolt M4 X 6(With plain washer)		
34		Hex. socket bolt M4 X 15		
35	HB230650	Flush screw (With adhesion)	H X 1	
36	KT230051	Take up lever drive lever a' ssy	H X 1	

Barudan

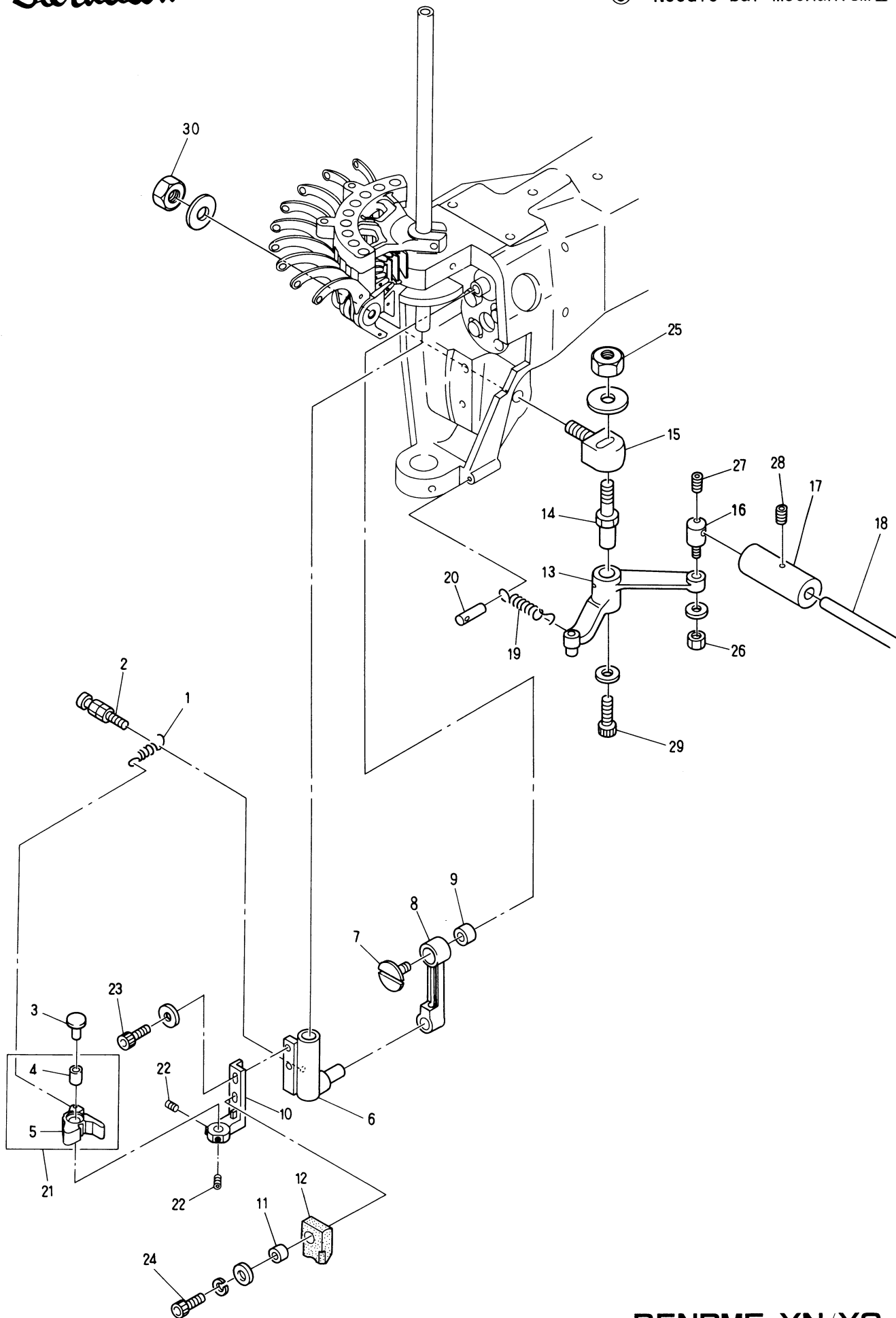
⑧ Needle bar mechanism I



From the library of: Diamond Needle Corp

MODEL BENRME-YN/YS
BENSME-YN/YS

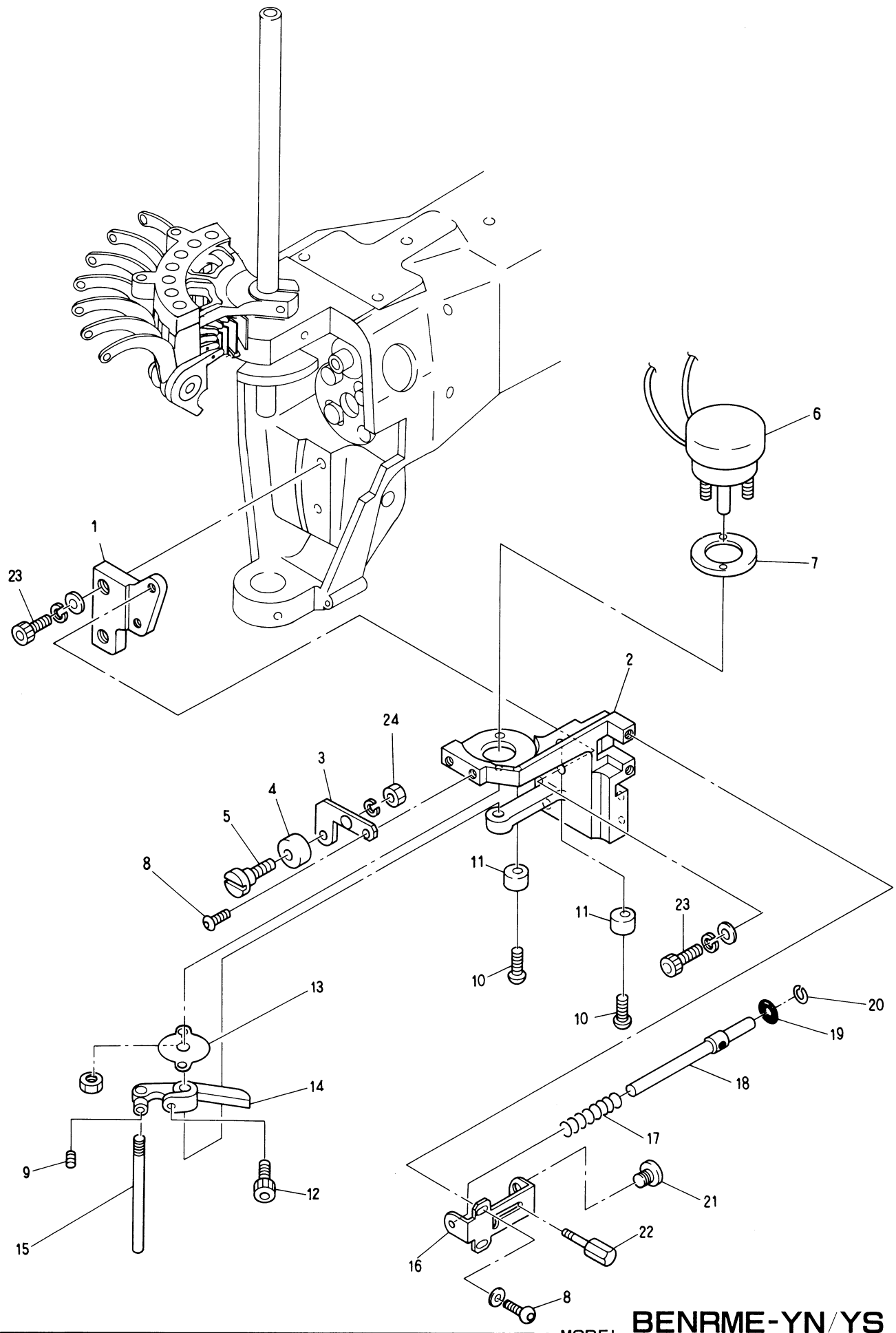
ITEM	LIST No	DESCRIPTION	Q'TY	REMARK
1	HT230800	Turret plate a'ssy	H X 9	
2	HT230810	Needle bar a' ssy	H X 9	
3	HT230130	Needle bar cap	H X 9	
4	HT230151	Needle bar guide	H X 9	
5	HT230051	Cloth winder stop latch set clamp	H X 9	
6		Hex. socket set screw M4 x 4		
7	HT230041	Needle bar	Hx9	
8	HT230251	Needle bar spring	HX 9	
9	HT230142	Pressue foot	H X 9	
10	KF230910	O-Ring (S)	HX9	
11	HT230120	Washer 2.4	H x 9	
12	KF230670	Needle clamp	Hx9	
13	KF230240	Needle clamp SCREW (SM9/64 40)	H x 9	
14	KF230250	Needle (DBK5-11)	H x 9	
15	HT230111	Turret plate felt	H x 1	
16	HT230062	Needle bar spring (Lower)	H x 9	
17		Hex. socket set screw M5 x 5		
18	HT230570	Turret plate	H x 1	
19	A9014055	O-Ring (IAS-7)	H x 18	
20	A9011023	Thrust bearing outer (GS1528)	H x 2	
21	A9011021	Thrust bearing (NTB-1528)	H x 2	
22	HB230140	Driver shaft under metal	H X 1	
23	A9011022	Thrust washer	H x 1	
24	HT230263	Washer for set clamp	H x 9	
25	KC330410	Lock connecting rod (L=2000)	4	
26		Hex. socket set screw M4 X 4		
27	KF330381	Lock bar hand grip	2	
28	HT230180	Turret plate joint pin	H x 1	
29		Hex. socket bolt M3 x 8		
30		Hex. socket button bolt M4 X 5		
31	A9012053	Hex. socket set screw M6 X 0, 75x8	H x 2	



From the library of: Diamond Needle Corp

MODEL BENRME-YN/YS
BENSME-YN/YS

ITEM	LIST No	DESCRIPTION	Q'TY	REMARK
1	HB230401	Needle bar driver return spring	H X 1	
2	HB230590	Set screw for return spring	H X 1	
3	HB230390	Needle bar driver fixing pin	HX 1	
4	A9012190	DU Bush (MB0606DU)	H X 1	
5	HB230383	Needle bar driver	HX1	
6	KB230080	Needle bar driver guide block	H X 1	
7	KB230070	90° Crank left screw	H x 1	
8	KB230060	Crank rod	HX1	
9	A9011115	Needle bearing (K9 X 12 x I OT2)	H X 1	
10	HB230372	Needle bar driver fixing base	H X 1	
11	HB230420	Needle bar driver stopper set collar	H X 1	
12	HB230414	Needle bar driver stopper	H X 1	
13	KL230280	Lock lever (With roller)	H X 1	
14	KF230630	Lock lever shaft	H X 1	
15	KF230650	Lock lever bracket	H X 1	
16	KF230640	Lock connecting bar clamp	H X 1	
17	KF330381	Lock bar hand grip	2	
18	KC330410	Lock connecting rod (L=2000)		
19	KF230661	Lock lever spring	H x 1	
20	KF230670	Lock lever spring pin	HXI	
21	HT230201	Needle bar driver (a'ssy)	H X 1	
22		Hex. socket set screw M4 x 4 (With adhesion)	H X 2	
23		Hex. socket bolt M4 X 12		
24		Hex. socket bolt M4 x 15		
25		Hex. nut M8		
26		Hex. nut M4		
27		Hex. socket set screw M4 x 6		
28		Hex. socket set screw M5 x 5		
29		Hex. socket bolt M5 X 10		
30		Hex. nut M10		

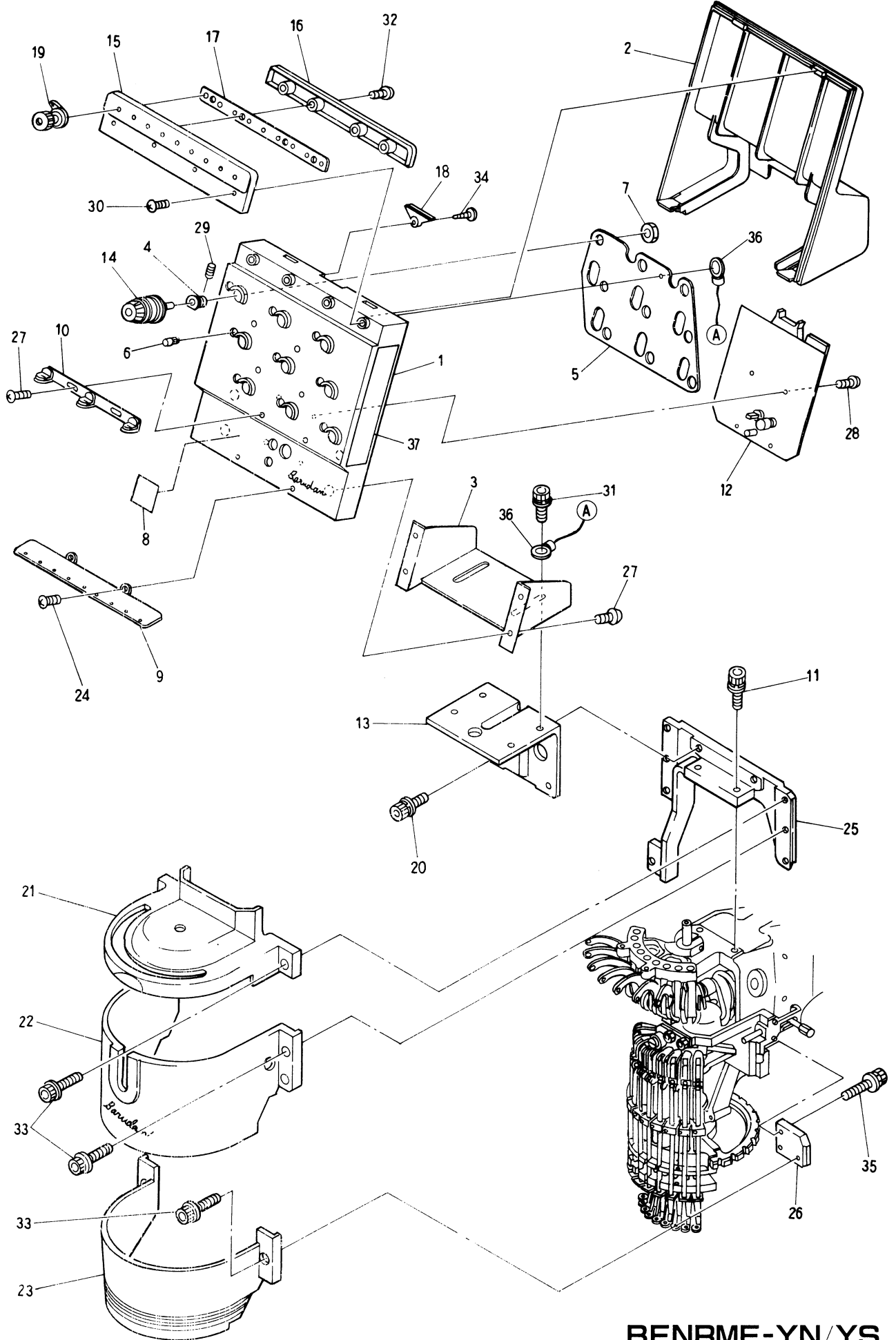


From the library of: Diamond Needle Corp

MODEL **BENRME-YN/YS**
BENSME-YN/YS

Barudan

⑪ Thread guide mechanism (YN use)

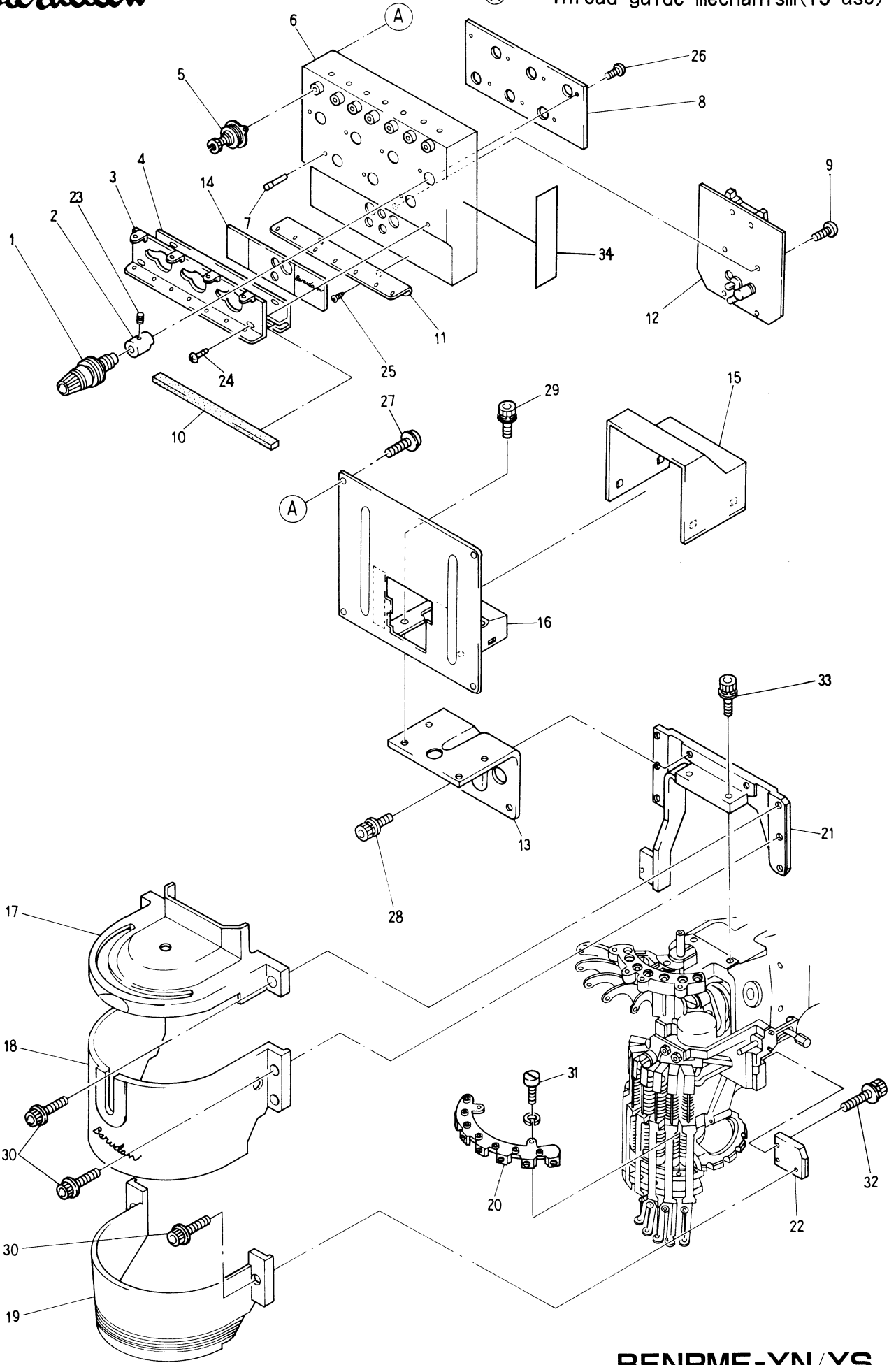


MODEL **BENRME-YN/YS**
BENSME-YN/YS

ITEM	LIST No	DESCRIPTION	Q'TY	REMARK
1	HT240120	Tension base case	H x 1	
2	HT240130	Tension base cover	H x 1	
3	HT240140	Tension base base	H x 1	
4	HT240150	Base	H x 9	
5	HT240160	Tension earth plate	Hx 1	
6	HT240170	Upper thread detection pin	H x 9	
7	HT240180	SM-Nut	H x 9	
8		No. Label	H x 1	
9	HT240020	Second thread guide plate (YN)	H x 1	
10	HT240060	First thread guide (YN)	H x 3	
11		Hex. socket bolt M5x20 (With plain washer)		
12	EBY01100	4619 Head board	H x 1	
13	KB240051	Tension base bracket (Mu l t i (MS) l	H x 1	
14	HT240320	Dial tension unit complete (YN)	H x 9	
15	HT240210	Upper thread guide fixing case	H x 1	
16	HT240220	Upper thread guide fixing cover	H x 1	
17	HT240230	Upper thread guide fixing base	H x 1	
18	HT240240	Blind cap	Hx1	
19	HT240330	Thread guide for upper tension	H x 9	
20		Hex. socket bolt M5x 15 (With plain washer)		
21	KB250020	Sewing head cover (A)	H x 1	
22	KB250030	Sewing head cover (B)	H x 1	
23	KB250040	Sewing head cover (C)	H x 1	
24		Tapping screw M4 x 10		
25	KB250050	Sewing head cover fixing bracket	H x 1	
26	KB250060	Sewing head cover fixing stay	H x 1	
27		Truss screw M4 x 10		
28		Tapping pan screw M3 x 8		
29		Hex. socket set screw M4 x12		
30		Pan screw M3 x 6		
31		Hex. socket bolt with washer M5 x 10		
32		Tapping screw 11 M3 x 12		
33		Hex. socket bolt M4 x 6 (With plain washer,		
34		Tapping screw M3 x 12		
35		Hex. socket bolt M4 x 15 (With plain washer,		
36	HV240000	Tension earth cable (NS)	H x 1	
37	HB790030	Tension base caution label	H x 1	

Barudan

⑪ Thread guide mechanism(YS use)



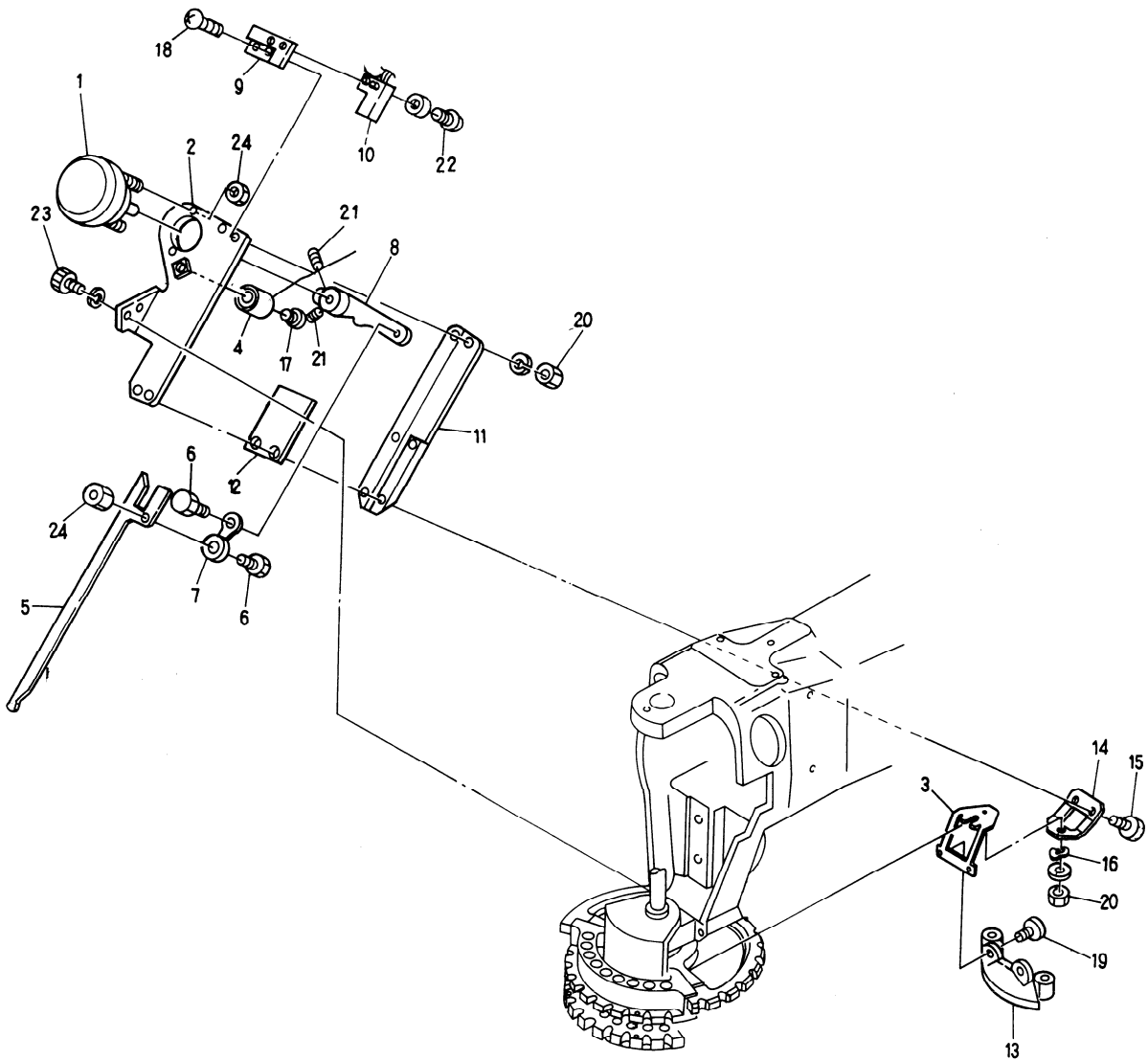
From the library of: Diamond Needle Corp

MODEL **BENRME-YN/YS**
BENSME-YN/YS

ITEM	LIST No	DESCRIPTION	Q'TY	REMARK
1	HT240530	Dial type tension unit complete (YS)		YF...HX5, YS ...HX7
2	HP241150	Tension base (With screw)		YF...H X 5, YS ...H X 7
3	HP241180	First thread guide (7)	H X 1	YS
	HT241170	First thread guide (5)	H X 1	YF
4	HP241460	Thread guide felt fixing plate (7)	H X 1	YS
	HP241450	Thread guide felt fixing plate (5)	H X 1	YF
5	HP241440	Upper tension unit complete (D=13.5)		
6	HP241122	Tension base (7)	H X 1	HP241160YS HP241150YS
	HP241112	Tension base (5)	H X 1	HP241160YF HP241150YF
7	HP241160	Upper thread detection pin		YF...HX5, YS ...HX7
8	HP241381	Tension earth plate (7)	H X 1	YS
	HP241371	Tension earth plate (5)	H X 1	YF
9		Tapping screw 2 X 8		
10	HP241480	Thread guide felt (7)	H X 1	YS
	HP241470	Thread guide felt (5)	H X 1	YF
11	HB240260	Second thread guide plate (7)	H X 1	YS
	HB240270	Second thread guide plate (5)	H X 1	YF
12	EBY01070	4613 Head board	H X 1	
13	KB240051	Tension base bracket	H X 1	
14	KU241400	Tension base label	H X 1	
15	KB240100	Tension cable cover	H X 1	
16	KB240060	Tension base (7)	H X 1	YS
	KB240070	Tension base (5)	H X 1	YF
17	KB250020	Sewing head cover A	H X 1	
18	KB250030	Sewing head cover B	H X 1	
19	KB250040	Sewing head cover C	H X 1	
20	KG250010	Thread end trap unit a' ssy (7)	H X 1	YS
	HP250050	Thread end trap unit a' ssy (5)	H X 1	YF
21	KB250050	Sewing head cover fixing bracket	H X 1	
22	KB250060	Sewing head cover fixing stay	H X 1	
23		Set screw (SM11/64 40x5.5)		
24		Truss screw M4 X 6		
25		Tapping screw M3.5X8		
26		Pan screw M3 X4		
27		Pan screw M4 X 8 (With plain washer)		
28		Hex. socket bolt M5 X15 (With plain	H X 2	
29		Hex. socket bolt M5 X 10 (With plain washer,	H X 4	
30		Hex. socket bolt M4 X 6 (With plain washer)		
31		Screw (SM9/64 40 X10)		
32		Hex. socket bolt M4 X 15 (With plain washer,		
33		Hex. socket bolt (With plain washer, Spring		
34	HB790030	Tension base caution label	H X 2	

Barudan

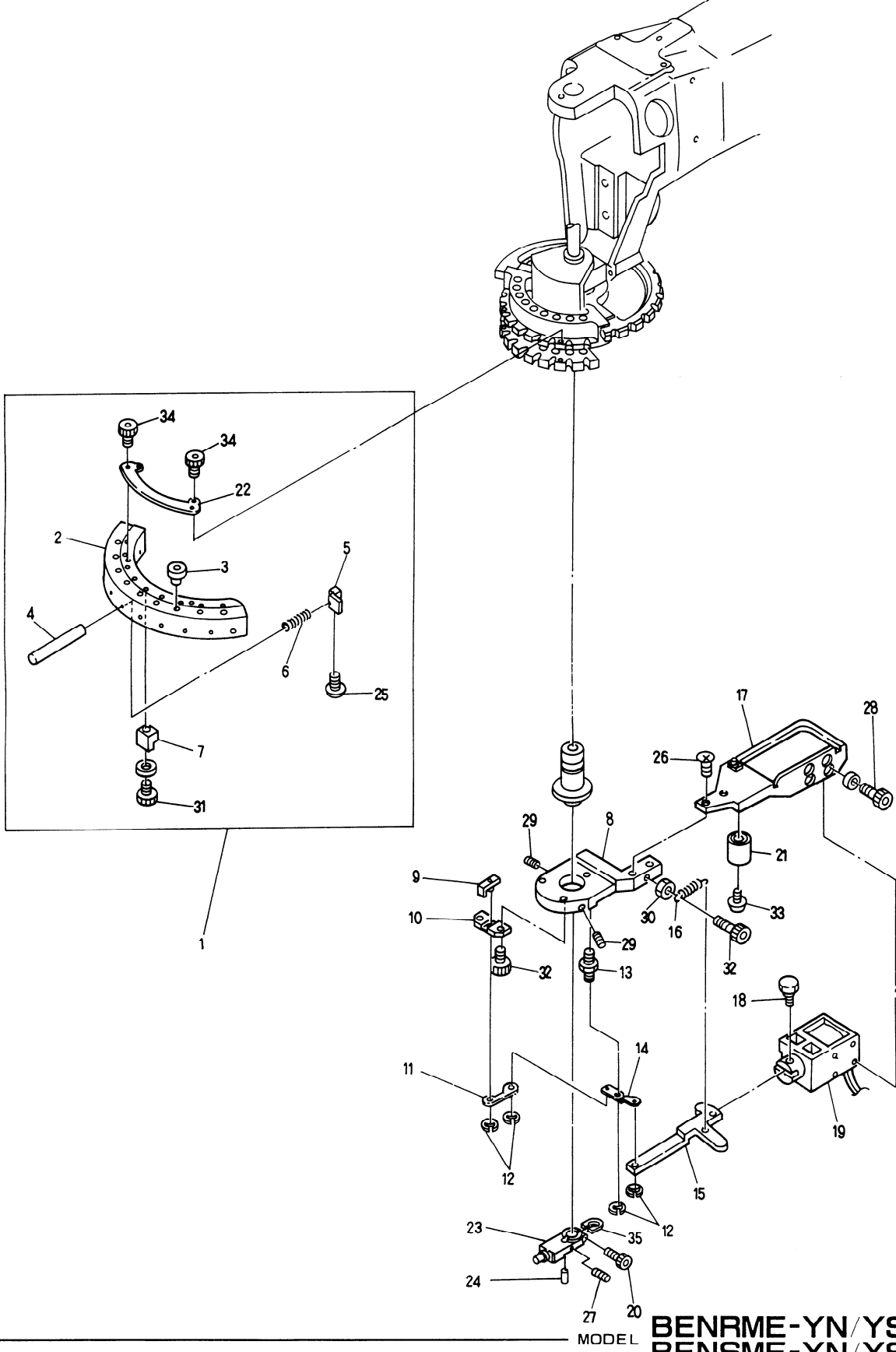
⑫ Automatic thread cutting mechanism II
(Thread away section)



MODEL BENRME-YN/YS
BENSME-YN/YS

Barudan

⑬ Automatic thread cutting mechanism III
(Thread support section)



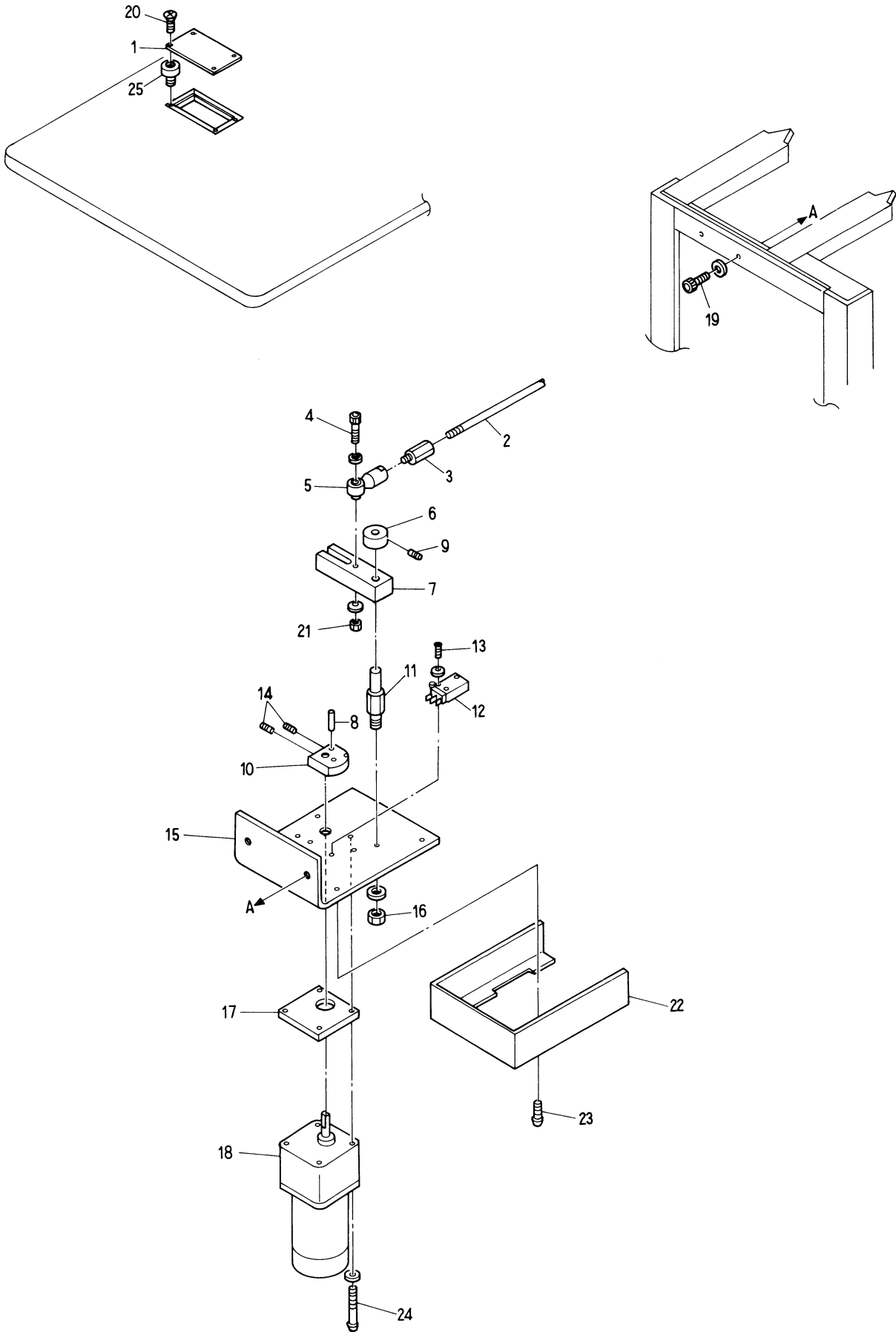
From the library of: Diamond Needle Corp

ITEM	LIST No	DESCRIPTION	Q'TY	REMARK
1	HT270030	Thread support apron a'ssy	H X 1	
2	HT270001	Thread support apron	H X 1	
3	KF230580	Take up lever ceramic	H X 9	
4	HT270040	Thread support shaft	H X 9	
5	HT270021	Thread support clamp	H X 9	
6	KC270271	Support spring	H X 9	
7	KC270292	Thread support block	H X 9	
8	KL270000	Fixing base 03	HX1	
9	HT270120	Thread support slider	H X 1	
10	HT270100	Slide base	HX1	
11	HT270080	Driving plate	HX1	
12	A9012056	E-Ring 03	HX4	
13	KL270040	Lever rotary shaft	H X 1	
14	HT270090	Solenoid lever	H X 1	
15	KL270060	Lever connecting plate	H X 1	
16	KL270520	Return spring	H X 1	
17	KL270070	Solenoid stay	HX1	
18	KC270101	Solenoid pin	H X 1	
19	A9056013	Keep solenoid (TDS-K10SL)	H X 1	
20	HT270640	Driving shaft fixing clamp bolt	H X 1	
21	KN272400	Stopper eccentric	H X 1	
22	HT270010	Thread support apron fixingstay	H X 1	
23	HT230361	Driving shaft fixing plate	H X 1	
24	HT270350	Thread hook disk fixing pin	H X 1	
25	HT270062	Set screw for thread supportclamp	H X 9	
26		Flush screw M4X8		
27		Set screw M3 X 5		
28		Hex. socket bolt M3X6		
29		Hex. socket set screw M4X8		
30		Hex. Nut M4		
31		Hex. socket bolt M3 X 10		
32		Hex. socket bolt M4 X 8		
33		Truss screw M4 X 16		
34		Hex. socket bolt (Plating) M3X6		
35	HT230830	Washer for driving shaft fixing plate	H X 1	

From the library of: Diamond Needle Corp

Barudan

⑭ Automatic thread cutting mechanism IV
(Drive mechanism)

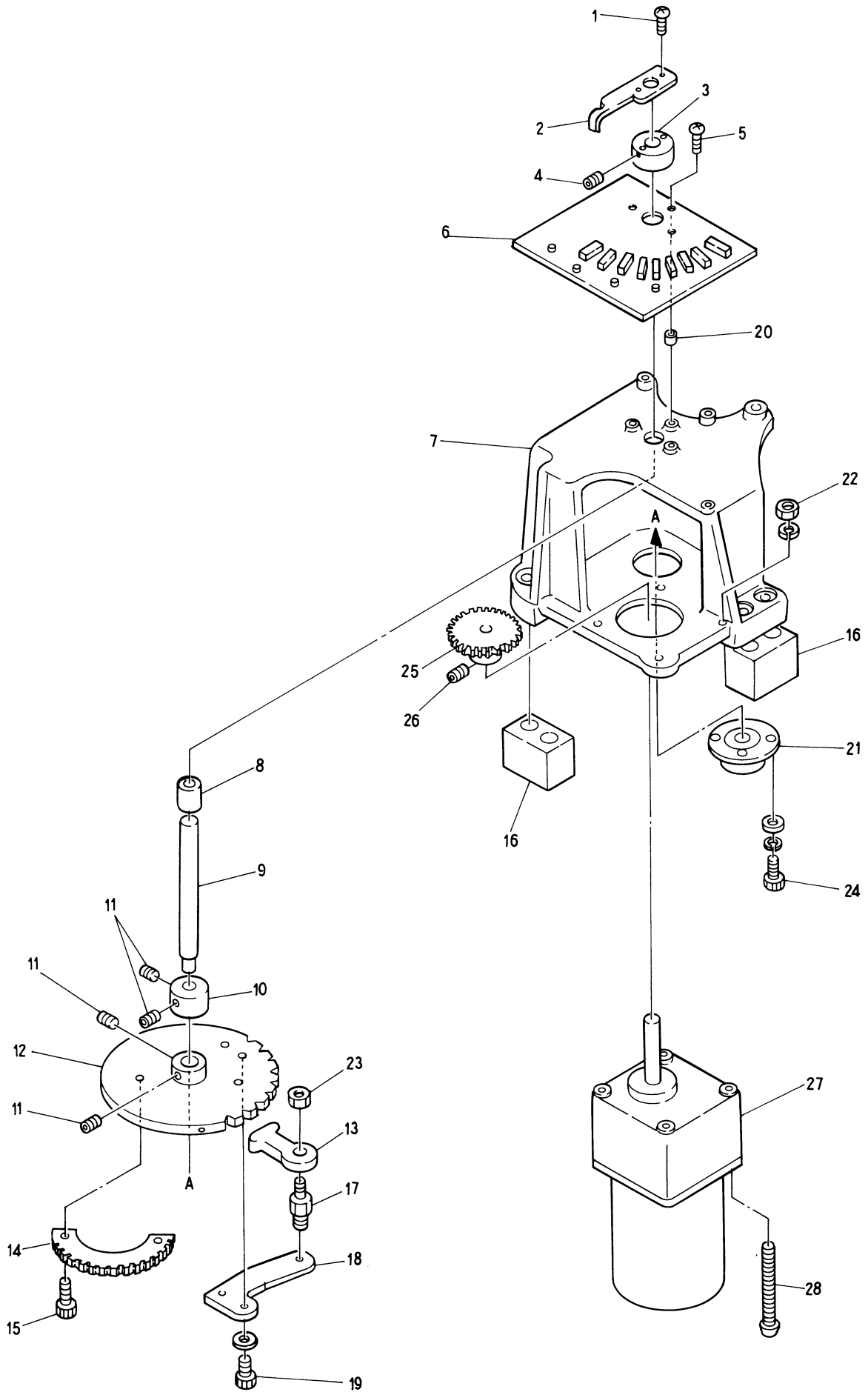


MODEL BENRME-YN/YS
BENSME-YN/YS

14 Automatic thread cutting mechanism IV (Drive mechanism)

ITEM	LIST NO	DESCRIPTION	Q'TY	REMARK
1	KC271440	Drive service cover	1	
2	KC330410	Rock connecting rod	2	
3	KC330510	Hex. connecting bar (1,)	1	
4		Hex. socket bolt M6 x 20		
5	A9012002	Uniball joint PR-6	1	
6	KC330180	Collar 10 DIA	1	
7	KC271140	Motor lever	1	
8	KN272350	Drive pin	1	
9		Hex. socket screw M5 x 6		
10	KS270030	Drive cam	1	
11	KC271151	Motor lever turret shaft	1	
12	A9052005	Micro switch V-011, 2255	1	
13		Truss screw M3 x 15, M3 x 20		
14		Hex. socket set screw M5 x 8		
15	KC271162	Motor bracket	1	
16		Hex. nut M8		
17	KC271430	Motor spacer	1	
18	A9065026	Reversible motor RM H6A 8PEAA(6RH D36)	1	
19		Hex. socket bolt M8 x 30		
20		Truss screw M4 x 8 (Under cut)		
21		Hex. nut M6		
22	KN271712	Motor bracket cover	1	
23		Truss screw M3 x 6		
24		Pan screw M5 x 65		
25		Rag nut (C) M4	4	

From the library of: Diamond Needle Corp

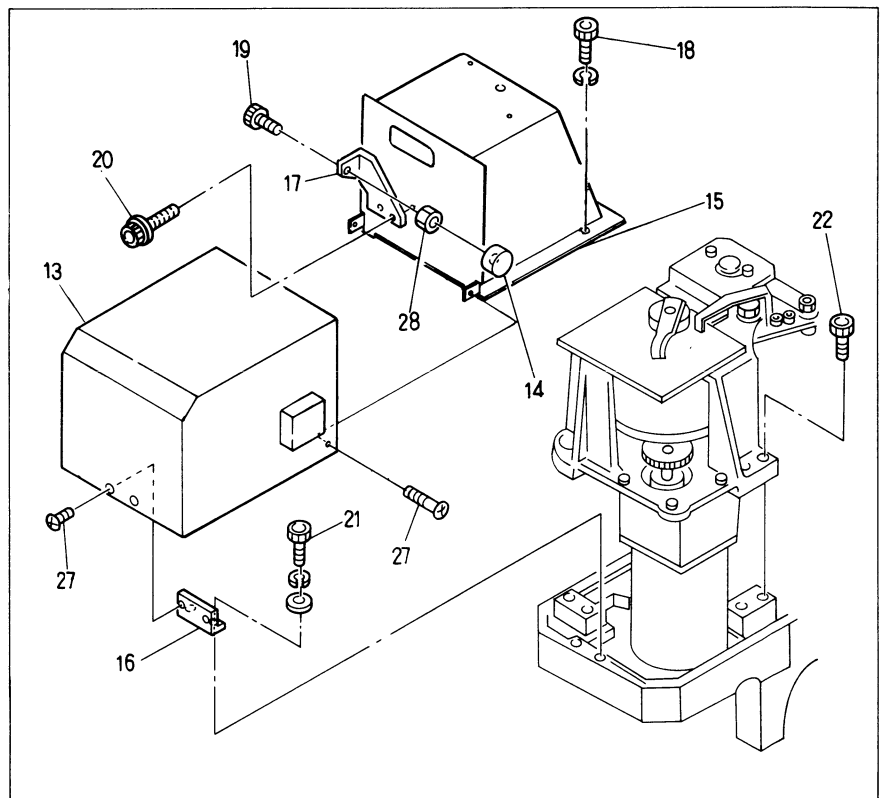
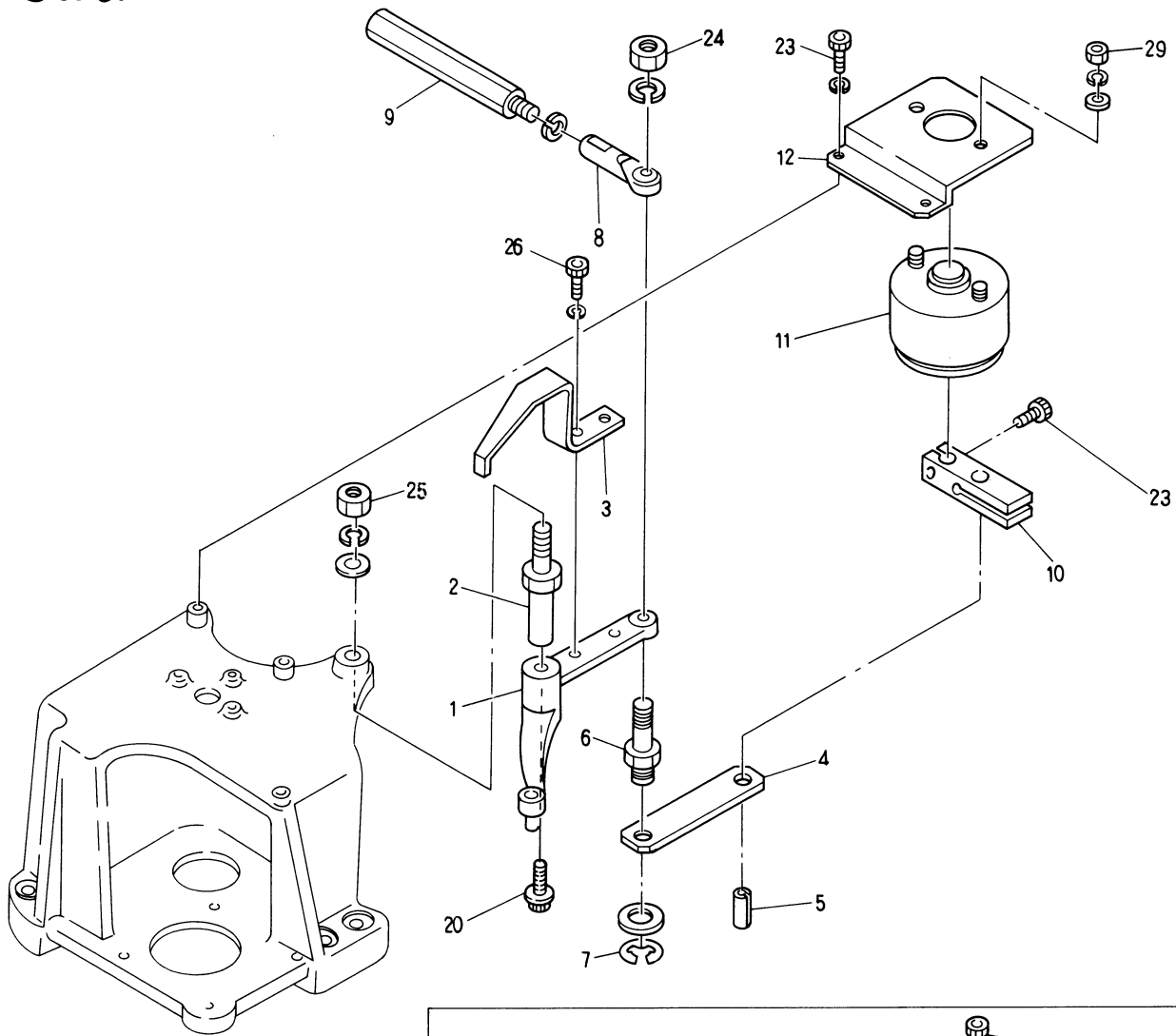


MODEL BENRME-YN/YS
BENSME-YN/YS

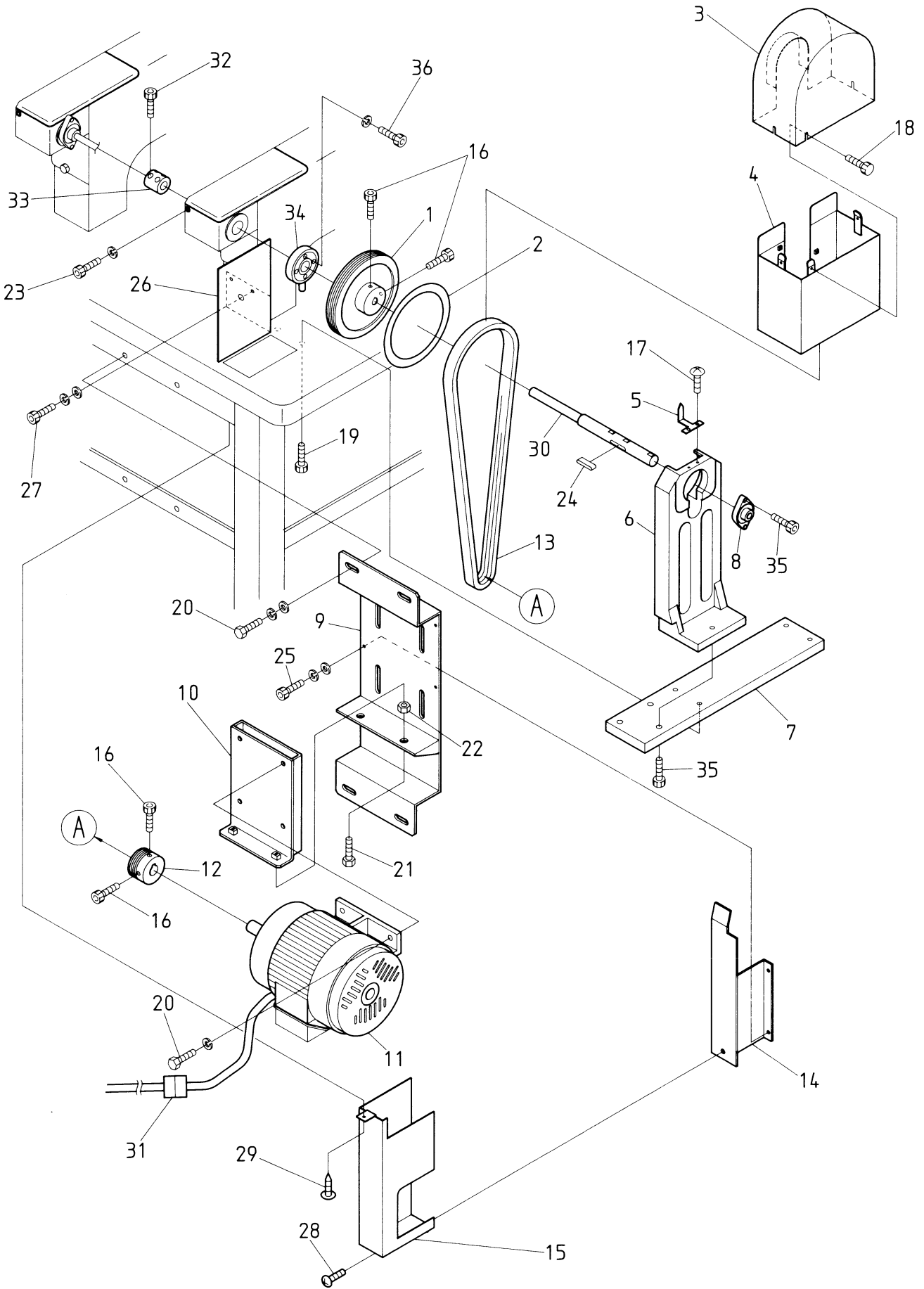
ITEM	LIST No	DESCRIPTION	Q'TY	REMARK
1		Truss screw M3 x 6		
2	KC330280	Needle bar detection plate	1	
3	KC330170	Detection plate collar	1	
4		Hex. socket set screw M5 x 10		
5		Truss screw M3 x 12		
6	EBY01120	3760 Needle positioner	1	
7	KC330180	Needle turning unit base	1	
8	KC330190	Oil-less metal	1	
9	KC330161	Needle turning shaft	1	
10	KC330180	Collar 10 dia	1	
11		Hex. socket set screw M5x6		
12	KT330001	Control turning plate	1	
13	A9012001	Uniball joint (RD4020R)	1	
14	KG330220	Needle turning gear No.2	1	
15		Hex. socket bolt M5 x 12		
16	KL330050	Unit base spacer	2	
17	KF230360	Turret plate joint pin	1	
18	KL330040	Turret plate lever	1	
19		Hex. socket bolt M5 x 15		
20	A9012208	Spacer 5 x 4	3	
21	KC330610	Oil-less bearing (OCHIAI) S/S LS B-G8-080V	1	
22		Hex. nut M4		
23		Hex. nut M5		
24		Hex. socket bolt M4 x 12		
25	KC330210	Needle turning gear No.1 (0.8M50T)	1	
26		Hex. socket set screw M4 x 8		
27	A9065035	Geared motor RM-F6A5PC3R163-120	1	
28		Flush screw M4 x65		

Barudan

⑯ Color change mechanism II

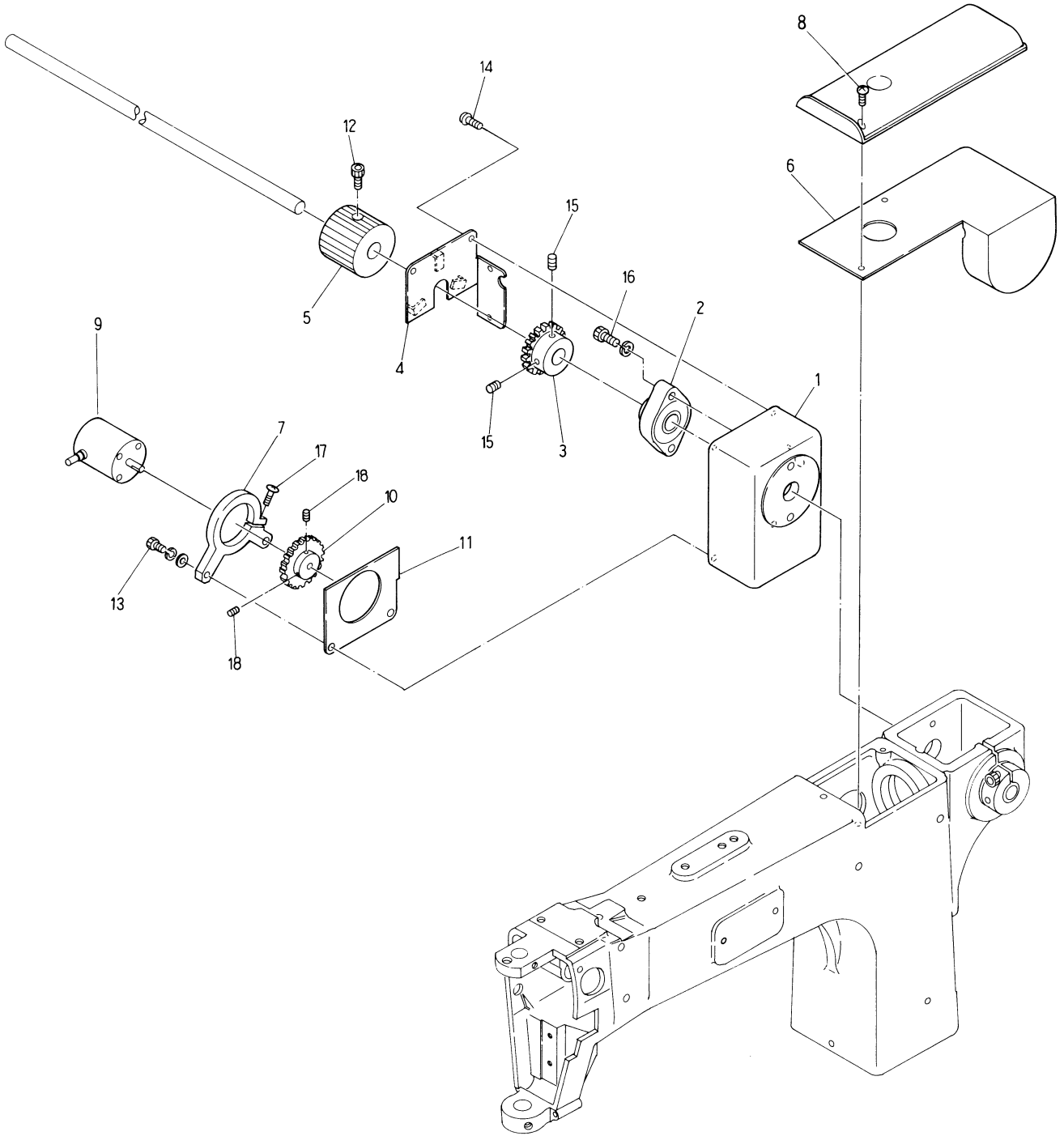


MODEL BENSME-YN



17 Drive mechanism

ITEM	LIST No	DESCRIPTION	Q'TY	REMARK
1	KN310000	Driving pulley 152.2 dia	1	
2	HP313690	Angle label (B)	1	
3	KV310041	Belt cover (Upper)	1	
4	KV310050	Belt cover (Lower)	1	
5	KV310090	Angle gauge	1	
6	KV310021	Shaft holder bracket	1	
7	KS310011	Shaft holder bracket base (cylinder)	1	
8	A9011017	Bearing (BLF 204)	1	
9	KV310070	Motor base (BENSME)	1	
10	KV310080	Motor fixing base (BENSME)	1	
11	HB310280	Motor FBK8-4P-0. 75KW VF3 (With cable)	1	
12	KN310010	Motor pulley	1	
13	A9020200	Ribstarbelt (4PK-1240)	1	
14	KS310020	Belt cover bracket (BENSME)	1	
15	KS310031	Belt cover (BENSME)	1	
16		Hex. socket bolt M 6 x 1 2		
17		Pan screw M 4 x 8		
18	A9012320	Screw	1	
19		Hex. socket bolt M 8 x 2 0		
20		Hex. bolt M 8 x 2 0		
21		Hex. bolt M 8 x 5 5		
22		Hex. nut M 8		
23		Hex. socket bolt M 6 x 6 0		
24	VW310210	Both round parallel key (6 x 6 x 35)	1	
25		Hex. socket bolt M 6 x 1 2		
26	KR310041	Belt cover bracket	1	
27		Hex. socket bolt M 4 x 6		
28		Pan screw M 4 x 6		
29		Pias biss		
30	KC320820	Top shaft connecting shaft (15 x 5700)		
31	A9053070	NS-Motor cable (7. 5W)	1	
32		Hex. socket bolt		
33	HP320110	Top shaft connecting coupling	1	
34	A9011119	Ball bearing JAF (SH204)	1	
35		Hex. socket bolt M 8 x 2 5		
36		Hex. socket bolt M 5 x 2 5		

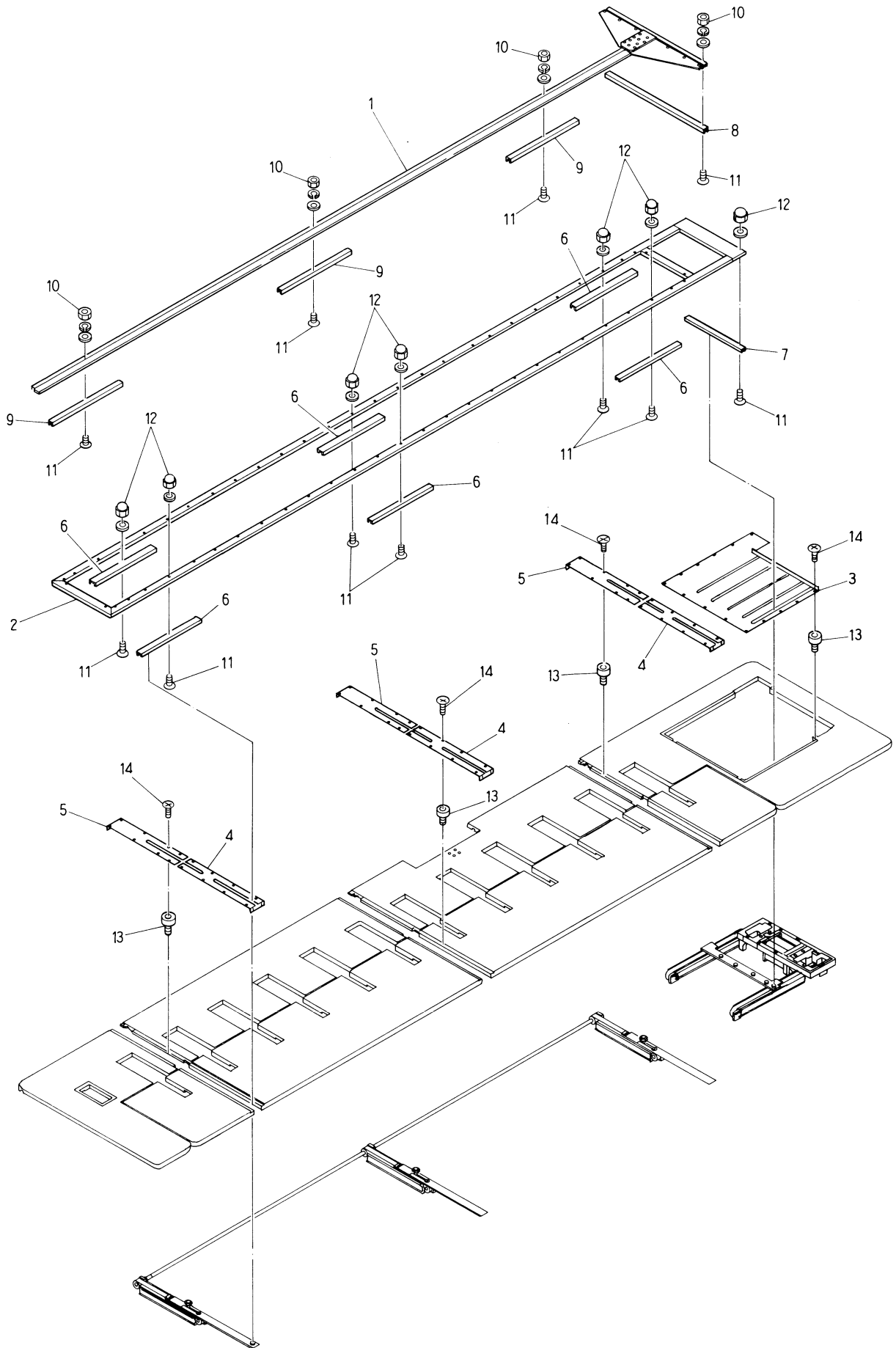


From the library of: Diamond Needle Corp

18 Connecting shaft mechanism

ITEM	LIST No	DESCRIPTION	Q'TY	REMARK
1	KR310090	Encorder box	1	
2	KP321140	Upper connecting shaft bearing unit (SBFLN02)	1	
3	KR310130	Encorder drive gear Na 1	1	
4	KR310120	Encorder box cover A	1	
5	KC320590	Hand pulley	1	
6	KR330110	Shaft side cover	1	
7	KC312890	Encorder retainer	1	
8		Truss screwM4 x 10		
9	KN511020	Position corder 051	1	
10	KR310100	Encorder drive gear No .2	1	
11	KR310110	Encorder box cover B	1	
12		Hex. socket boltM6 x 12		
13		Hex. socket boltM6 x 20		
14		Truss screwM4 x 6		
15		Hex. socket set screwM5 x 10		
16		Hex. socket boltM6 x 40		
17		Truss screwM4 x 15		
18		Hex. socket set screwM4 x 10		

⑱ Pantograph drive mechanism I
(Pantograph cover)

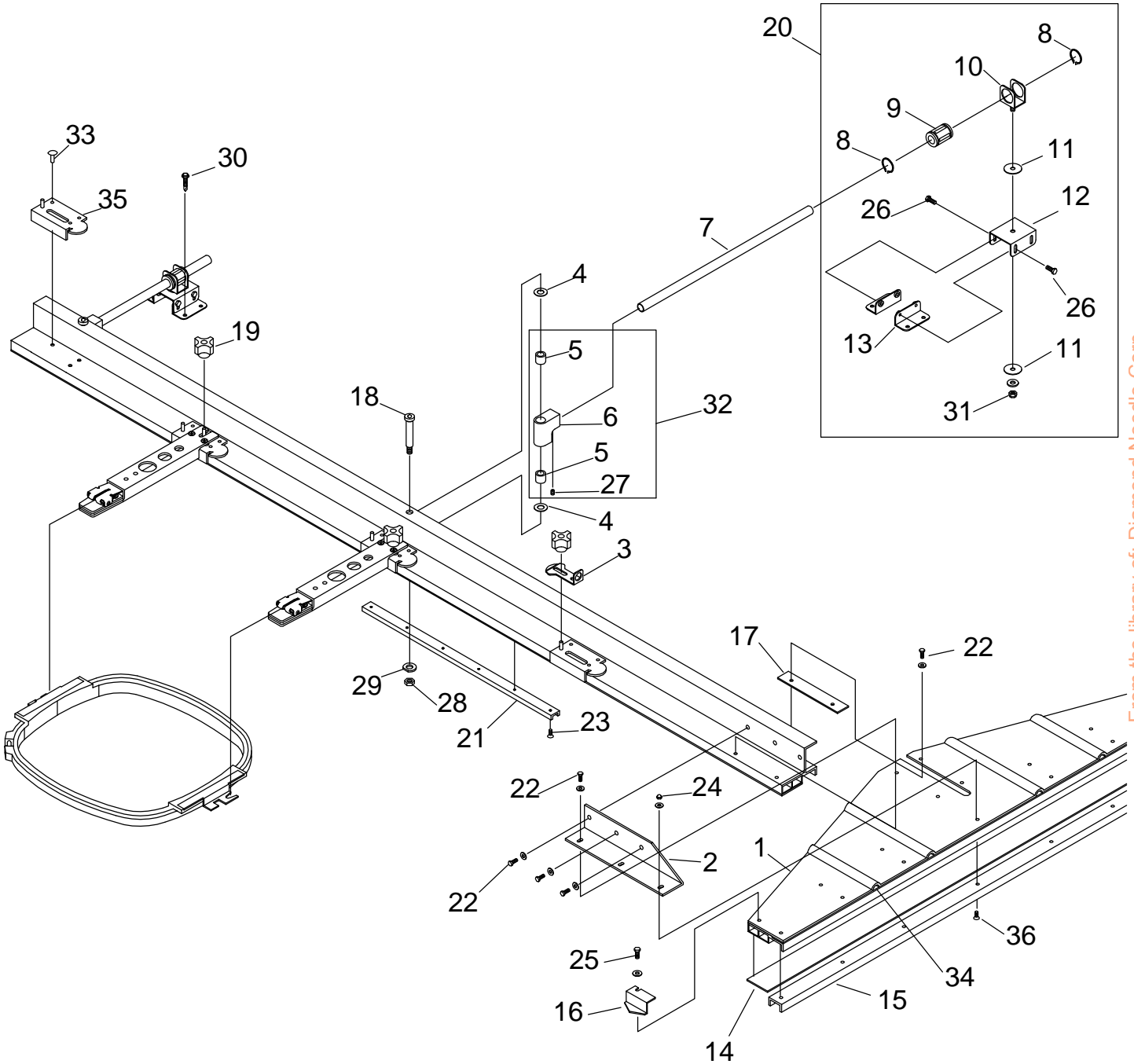


From the library of: Diamond Needle Corp

19 Pantograph drive mechanism I (Pantograph- Cover) (JAPAN MACHINE)

ITEM	LIST No	DESCRIPTION	Q'TY	REMARK
1	1FKS123804800	T-Pantograph frame a'ssy (BENSME-YN-12)	1	Choice and use
	1FKS153804800	T-Pantograph frame a' ssy (BENSME-15)	1	Choice and use
2	1WKK123804800	Pantograph frame a'ssy (BENSME-YN-12)	1	Choice and use
	1WKK153804800	Pantograph frame a'ssy (BENSME-15)	1	Choice and use
3	KS480030	V-Guide cover	1	
4	KK480100	H-Guide cover (Front)	3	15
5	KS480010	H-Guide cover (Rear)	3	15-4
6		H-Slide rail (L= 510)	6	15
7	KR480330	V-Slide rail (L= 485)	1	
8		V-Slide rail (L = 815)	1	
9		H-Slide rail (L = 580)	3	15
10		Hex. nut M4		
11		Flush screw M4 x12		
12		Cap nut M4		
13		Rag nut (C) M4		
14		Flush screw M4 x 8 (Under cut)		

19A PANTOGRAPH DRIVE (U.S. MACHINE)



From the library of: Diamond Needle Corp

BENSME
BENRME

19A Pantograph Drive

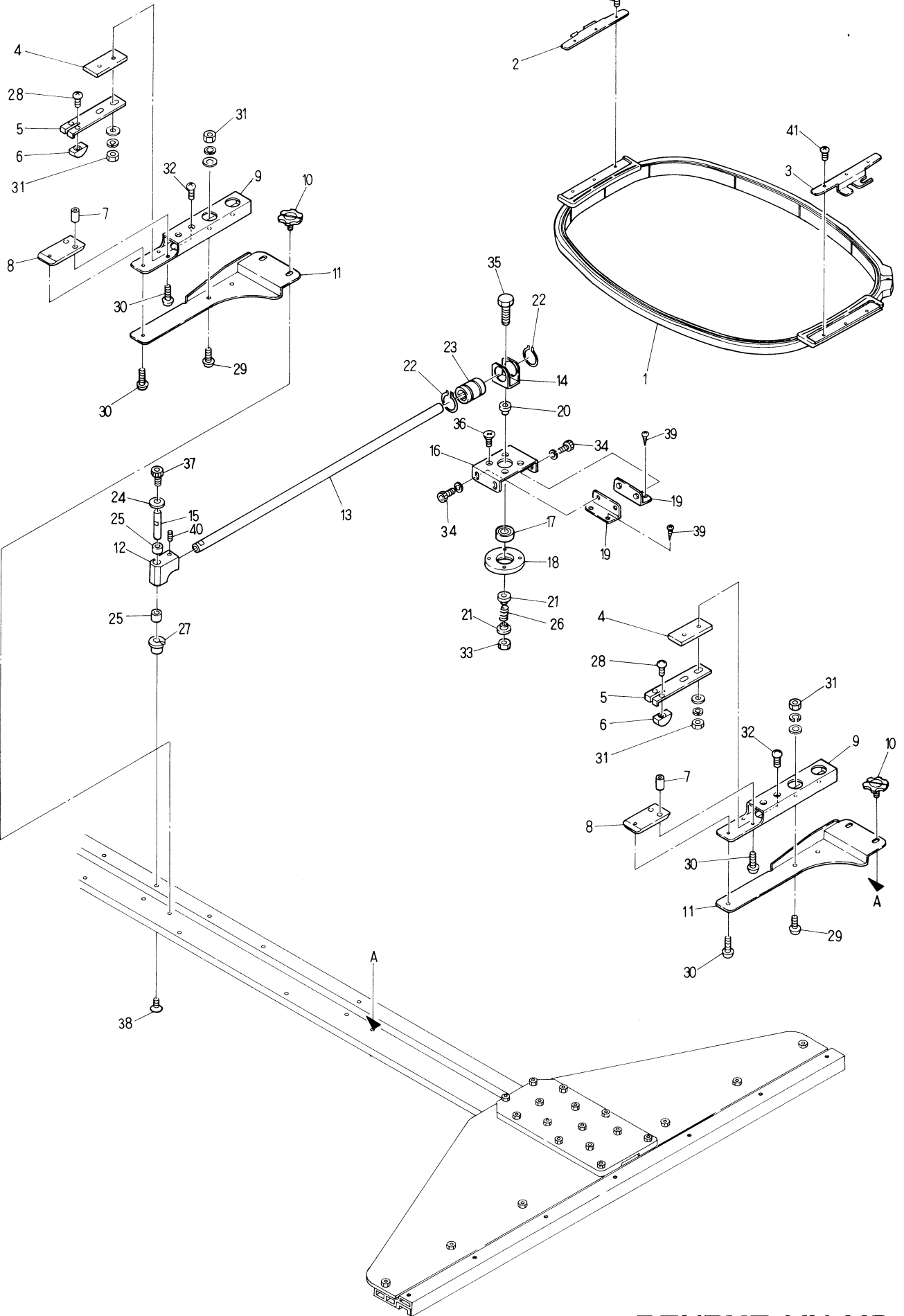
(S=Set Qty)

ITEM	LIST NO.	DESCRIPTION	QTY	NOTE
1.	A200083	Pantograph Stiffening Guide	1	
2.	A200084	Bracket, Pantograph	1	
3.	A200081	Bracket, Hoop Retaining	Sx1	
4.	A200105	Washer, Nylon	Sx2	
5.	A200106	Needle Bearing	Sx2	
6.	A200088	Swivel Bracket	Sx1	
7.	A200075	Tube, Pantograph Guide (18")	Sx1	
8.	A100103	Ring, Turret Bearing Retaining	Sx2	
9.	A100102	Bearing, Turret	Sx1	
10.	A200080	Bracket, Ball Bushing Retaining	Sx1	
11.	A100101	Washer, Turret Mounting	Sx2	
12.	A200078	Bracket, Upper Turret	Sx1	
13.	A200079	Bracket, Lower Turret	Sx2	
14.	A100105	Felt, Pantograph	1	
15.	A200094	Pantograph Bearing Guide (32")	1	
16.	A200129	Pointer, Pantograph	1	
17.	A200085	Shim, Pantograph Bracket	1	
18.	A200103	Screw, 5/16 -18 x 1 3/4" Shoulder	Sx1	
19.	P820710	Knob, 1/4-20 Phenolic		
20.	A100104	Turret Bracket Assembly		
21.	A200157	Pantograph Bearing Guide (22")		
22.		Screw, 8-32 x 1/2" Hex Head		
23.		Screw, 8-32 x 5/8" Phillips Flat Head		
24.		Nut, 10-32 Acorn		
25.		Screw, 10-32 x 1/2" Hex Head		
26.		Screw, 10-32 x 1 1/4" Hex Head		
27.		Screw, 10-32 x 1/4" Socket Cup Point Set		
28.		Nut, 5/16-18 Nylock		
29.		Washer, Half Cut Steel		
30.		Screw, 8-18 x 3/4" Hex. Head (No. 2 Tek)		
31.		Nut, 1/4-20 Nylock		
32.	A200090	Swivel Bracket Assembly		
33.	A200089	Retaining Bracket Rivet		
34.	A200086	Stiffening Guide Shim		
35.	A200087	Small Retaining Bracket		
36.		Screw, 10-32 x 3/4" Phillips Flat Head		

From the library of: Diamond Needle Corp

Barudan

⑳ Pantograph drive mechanism II
(T-Pantograph relation)

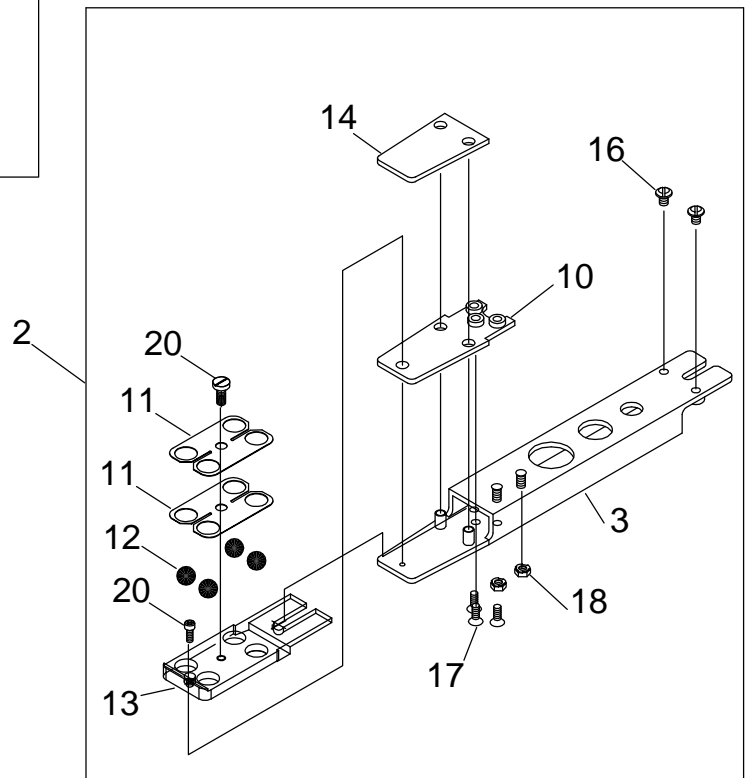
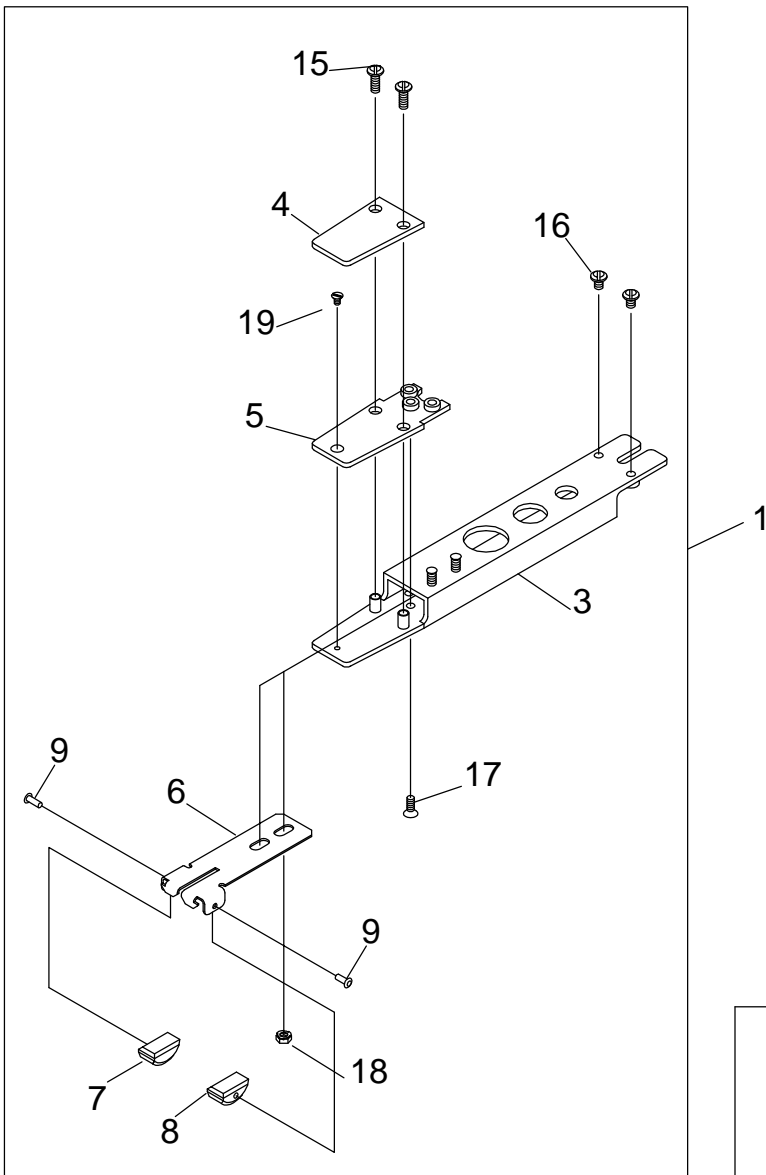


MODEL BENRME-YN/YS
BENSME-YN/YS

20 Pantograph drive mechanism II (T-Pantograph relation) (JAPAN MACHINE)

ITEM	LIST No	DESCRIPTION	Q'TY	REMARK
1	FR92300290A	Square pantograph 320x290	12	15
2	FR600528	Metal for allot wood frame (No. 1) R	12	15
3	FR600529	Metal for allot wood frame (Nal) L	12	15
4	HS460200	Fixing spacer	13	15-16
5	HS460030	Frame fixing spring No. 2	13	15
6	HS460050	Frame fixing block	26	15
7	HS460210	Frame fixing the position pin	26	15
8	KK460130	Frame slide plate	13	15
9	KK460050	Fixing base	13	15
10	HS730000	Knurling screw for pantograph	26	15
11	KK460061	Fixing stay	13	15
12	KK460070	Rotation block	6	
13	KK460090	Pantograph set driving shaft	6	
14	KK460040	Bush fixing bracket	6	
15	KK460080	Rotation shaft B	6	
16	KK460010	Pantograph set base (Upper)	6	
17	A9010036	Bearing (6900ZZ)	6	
18	KK460031	Bearing set plate	6	
19	KK460000	Pantograph set base (Lower)	12	
20	KK460020	Rotation shaft A	6	
21	KK460120	Spring set plate	12	
22	A9012064	C-Ring (For shaft) 21	12	
23	A9011131	Slide bush SM12GUU	6	
24	A9012164	Thrust washer R-TW 0815	6	
25	A9011132	DU Bush MB0805	12	
26	KK460140	Pantograph set spring	6	
27	A9012264	D U Bush (MB0808-15FDU)	6	
28		Truss screw M3 x 3		
29		Truss screw M3 x7		
30		Truss screw M3 x 5		
31		Hex. nut M3		
32		Truss screw M3 x 10		
33		U-Nut M5		
34		Hex. socket bolt M5 x 10		
35		Hex. bolt M5 x 25		
36		Pan screw M4 x 10		
37		Hex. socket bolt M4 x 8		
38		Pan screw M4 x 12		
39		Bind tapping screw 4.5 x 24		
40		Hex. socket set screw M6 x 8		
41		Pan screw M3 x 6		

20A PANTOGRAPH HOOP SUPPORT ARM (U.S. MACHINE)



From the library of: Diamond Needle Corp

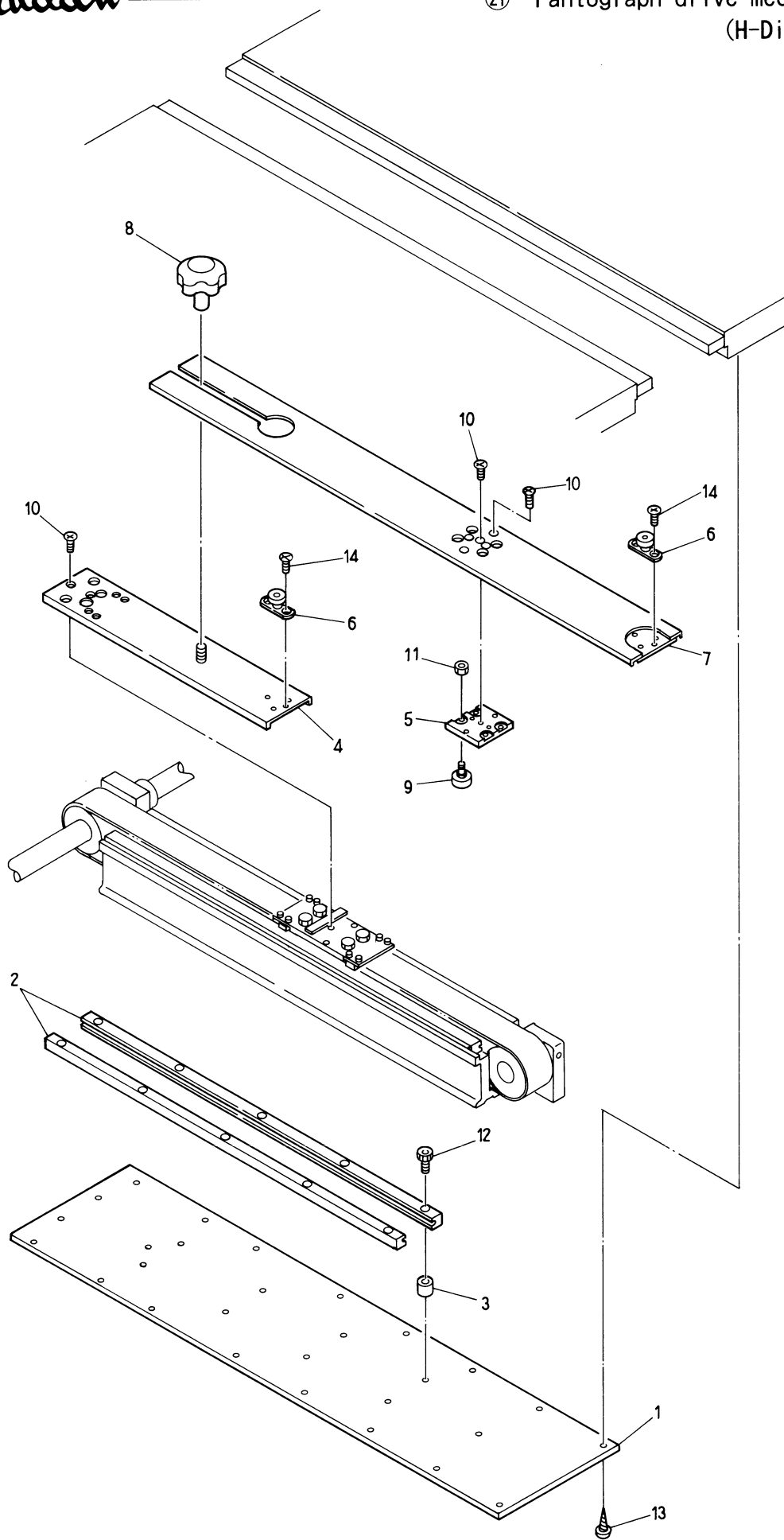
BENSME
BENRME

20A Pantograph Hoop Support Arm

ITEM	LIST NO.	DESCRIPTION	QTY	NOTE
1.	A200099	Assembly, Hoop Support Arm	1	
2.	A200168	Assembly, Hoop Support Arm (Ball Clip)	1	
3.	A200132	Arm, Hoop Support	1	
4.	A200093	Tongue, Nylon	1	
5.	A100107	Tongue, Steel	1	
6.	A100108	Clamp, Hoop Support	1	
7.	A200158	Button, Right Hoop Support	1	
8.	A200159	Button, Left Hoop Support	1	
9.	A200167	Rivet, Hoop Support Button	1	
10.	A100376	Ball Clip Steel Plate	1	
11.	A100372	Ball Clip Stainless Spring	2	
12.	A100373	Ball Clip 1/2" Steel Ball	4	
13.	A100374	Ball Clip Aluminum Ball Holder	1	
14.	A100375	Ball Clip Nylon Wear Plate	1	
15.		Screw, 10-32 x 3/8" Slotted Pan Head		
16.		Screw, 10-32 x 3/16" Slotted Pan Head		
17.		Screw, 8-32 x 1/4" Flat Head		
18.		Nut, 10-32 (KEPS)		
19.		Screw, 6-32 x 3/16" Undercut Flat Head		
20.		Screw, 6-32 x 1/2" Socket Head Cap		

Barudan

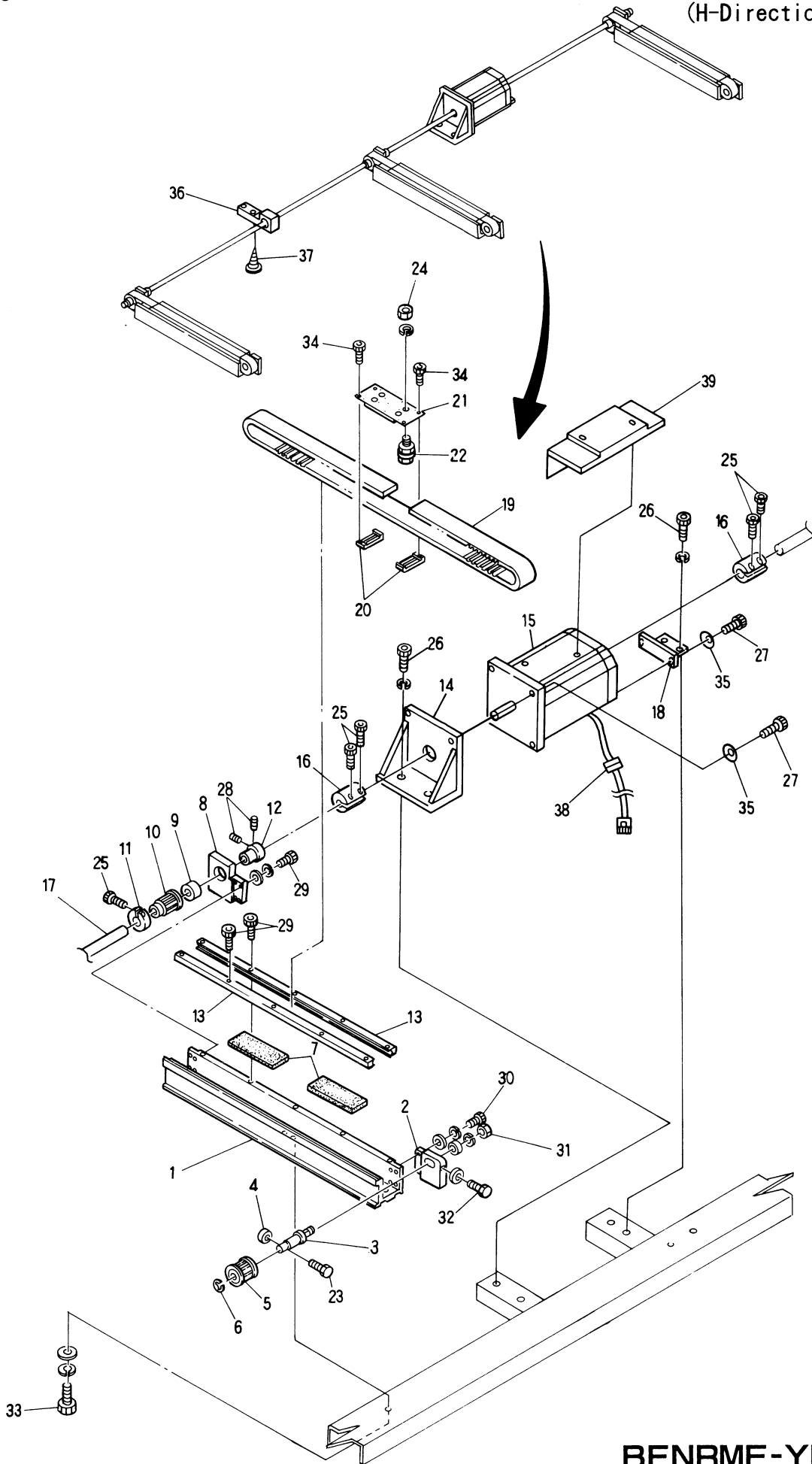
②1 Pantograph drive mechanism III
(H-Direction•Front)



MODEL BENRME-YN/YS
BENSME-YN/YS

Barudan

② Pantograph drive mechanism IV
(H-Direction • Rear I)

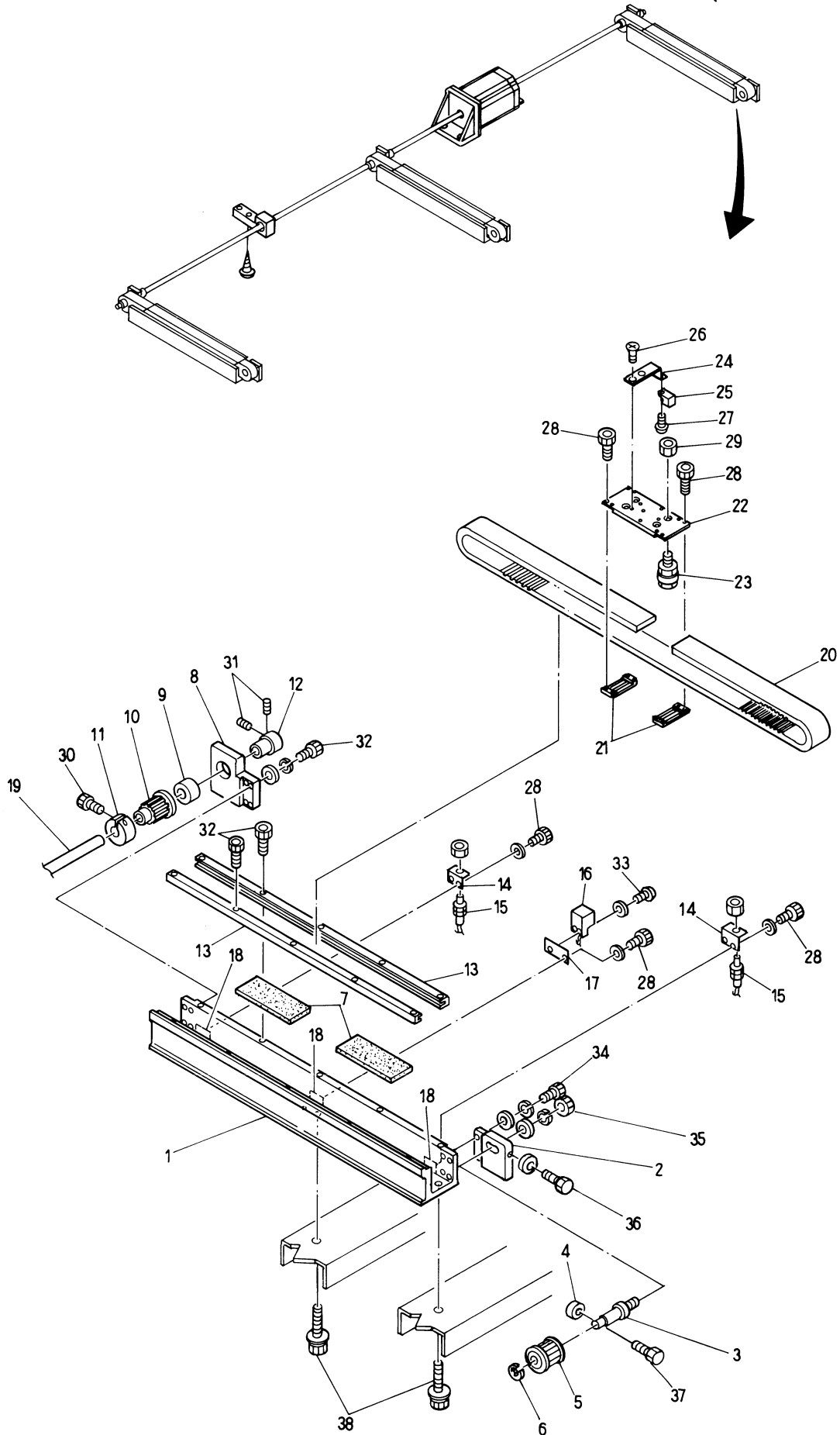


From the library of: Diamond Needle Corp

MODEL BENRME-YN/YS
BENSME-YN/YS

22 Pantograph drive mechanism IV (H-Direction -Rear I)

ITEM	LIST No	DESCRIPTION	Q'TY	REMARK
1	KK480010	H -Guide rail base	3	15-4
2	KR480060	H - V -Guide front pulley bracket	3	15
3	HH481991	Timing pulley shaft	3	15
4	HH482110	Pulley shaft bolt cap	3	15
5	HV480050	Pantograph driving pulley (Front)	3	15-4
6	A9012052	E -Ring 10 dia	3	15
7	KN480061	Rail base felt (100 x38 x6)	6	15
8	KR480050	H - V -Guide rear pulley bracket	3	15
9	A9011110	Needle bearing HK2016	3	15-4
10	HV480040	Pantograph driving pulley (Rear)	3	15
11	HH481980	Clamping 19 dia	3	15
12	HH481970	Pulse motor connecting shaft collar	3	15
13	KK480140	V -Guide rail H -side (L=430)	6	15
14	HV480010	H -Pulse motor bracket		
15	HV480060	Pulse motor bracket (5M)		
16	HH481931	Pulse motor coupling		
17		H -Pulse motor connecting shaft	1	15
18	HV480020	H -Pulse motor bracket		
19	HV4801101035	Timing belt	3	15
20	HP482940	Timing belt set rack (5M)	6	15
21	KK140130	H-Roller base (BA type)	3	15
22	HP482950	Roller pin a'ssy A	12	15
23		Hex. bolt M4 x 35		
24		Hex. nut M5		
25		Hex. socket bolt M5 x 18		
26		Hex. socket bolt M8 X40		
27		Hex. socket bolt M6 X22		
28		Hex. socket set screw M5 x 8		
29		Hex. socket bolt M4 x 15		
30		Hex. socket bolt M4 X18		
31		Hex. nut M8		
32		Hex. socket bolt M4 X25		
33		Hex. socket bolt M8 X22		
34		Hex. socket bolt M3 x 8		
35		Disc spring 4 for hex.socket bolt		
36		Pulse motor connecting shaft support	1	15
37		Pias biss		
38	HV510020	H -pulse motor cable of extension (L=1500)	1	
39	KV310061	H-Pulse motor cover (BENSME)	1	

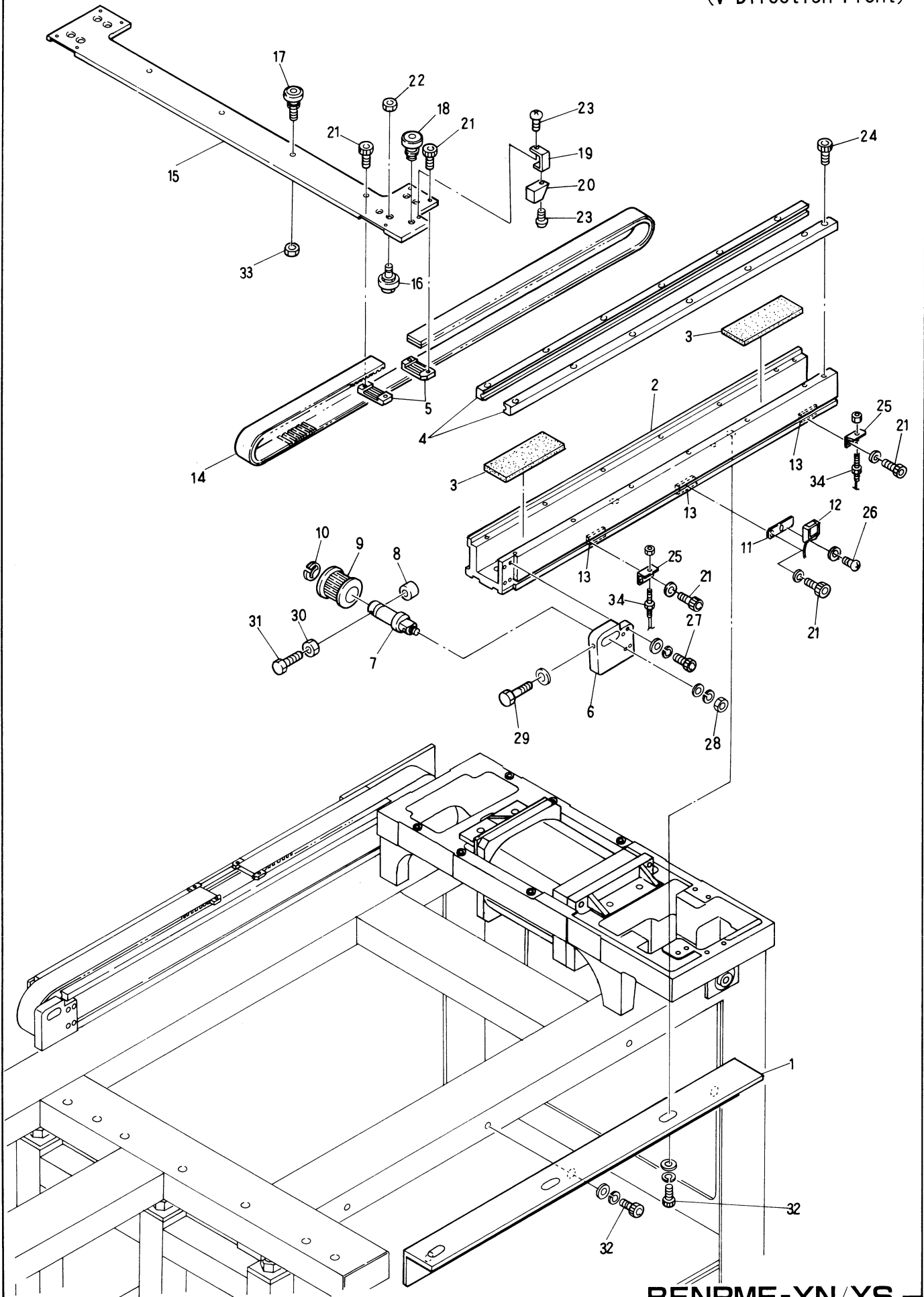


From the library of: Diamond Needle Corp

MODEL BENRME-YN/YS
BENSME-YN/YS

23 Pantograph driving mechanism V (H-Direction -Rear II)

ITEM	LIST No	DESCRIPTION	Q'TY	REMARK
1	KK480010	H -Guide rail base	1	
2	KR480060	H - V -Guide front pulley bracket	1	
3	HH481991	Timing pulley shaft	1	
4	HH482110	Pulley shaft bolt cap	1	
5	HV480050	Pantograph driving pulley (Front)	1	
6	A9012052	E-Ring	1	
7	KN480061	Rail base felt (100 x38 x6)	1	
8	KR480050	H - V -Guide rear pulley bracket	1	
9	A9011110	Needle bearing HK2016	1	
10	HV480040	Pantograph driving pulley (Rear)	1	
11	HH481980	Clamping 19 dia	1	
12	HH481970	Pulse motor connecting shaft collar	1	
13	KK480140	V-Guide rail H-Side (L=4 3 0)	2	
14	MT460240	RS-001 Bracket	2	
15	A9052024	Switch RS-001	2	
16	A9052031	Magnet proximity switch MH-601A	1	
17	KN450300	M H - 6 0 1 A Proximity switch fixing bracket	1	
18	KU460270	Plate nut (M3)	3	
19		H-Pulse motor connecting shaft B (L=985)	1	
20	A9020170	Timing belt	1	
21	HP482940	Timing belt set rack (5M)	2	
22	KK140130	H -Roller base (B. A type)	1	
23	HP482950	Roller pin a'ssy A	4	
24	KU460342	H -Pantograph origin point magnet bracket	1	
25	A9052030	Magnet M-102A-02	1	
26		Flush screw M4 x 6		
27		Truss screw M3 x 6		
28		Hex, socket bolt M3 x 6		
29		Hex, nut M5		
30		Hex, socket bolt M5 x 18		
31		Hex, socket set screw M5x8		
32		Hex, socket bolt M4 x 15		
33		Truss screw M3 x 10		
34		Hex, socket bolt M4 x 18		
35		Hex, nut M8		
36		Hex, bolt M4 x 25		
37		Hex, bolt M4 x 35		
38		Hex, socket bolt M8 x 22		



From the library of: Diamond Needle Corp

MODEL BENRME-YN/YS
BENSME-YN/YS

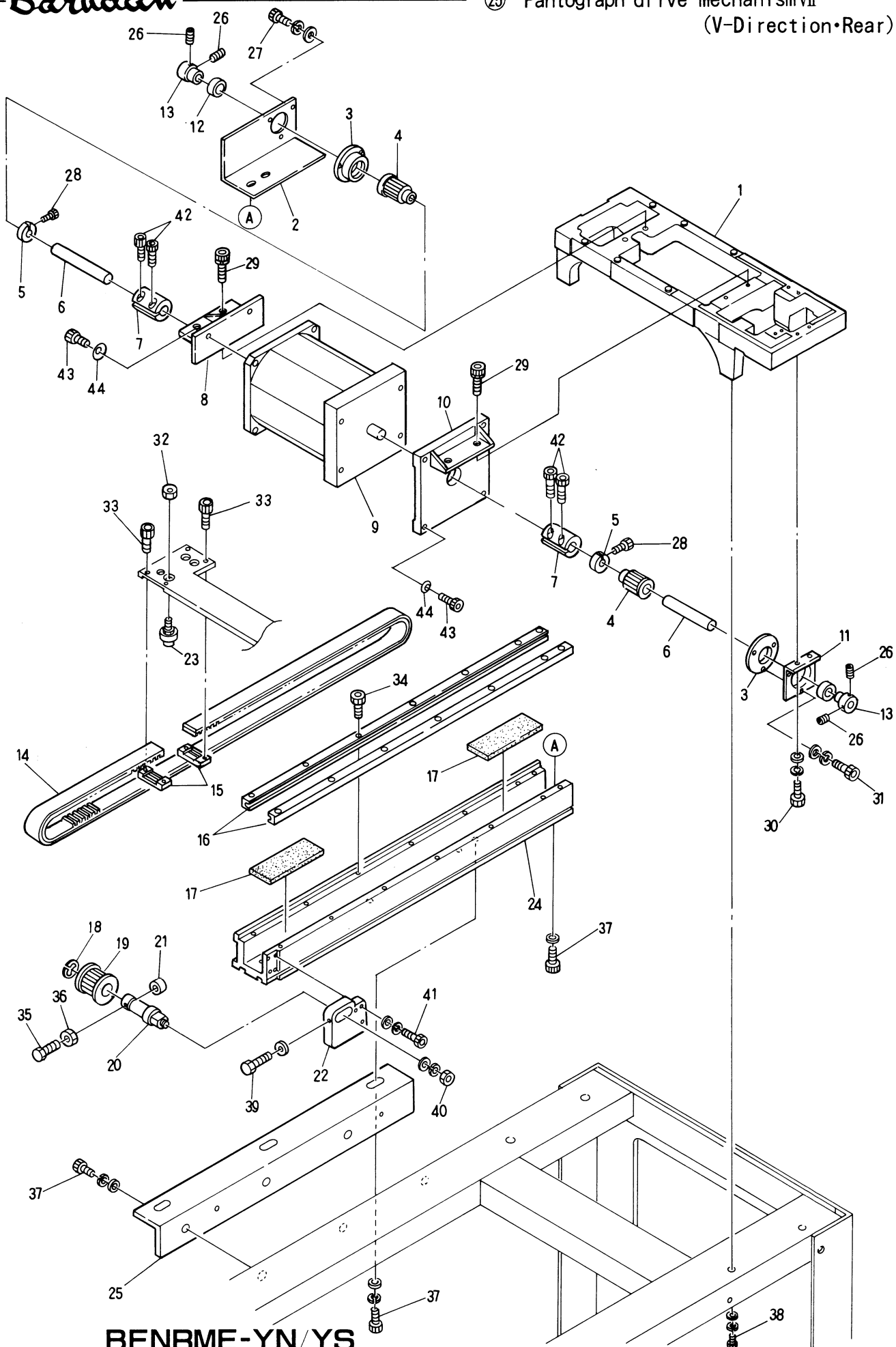
24 Pantograph drive mechanism VI (V-Direction Front)

ITEM	LIST No	DESCRIPTION	Q'TY	REMARK
1	KK480030	V -Guide rail base bracket (Front)	1	
2	KV480170	V -Guide rail base (Stroke 4 8 0)	1	
3	KN480061	Rail base felt (100 x38 x6)	2	
4	KN483450	V -Guide rail (L=660)	2	
5	HP482940	Timing belt set rack (5M)	2	
6	KR480060	H - V-Guide front pulley bracket	1	
7	HH481991	Timing pulley shaft	1	
8	HH482110	Pulley shaft bolt cap	1	
9	HV480050	Pantograph driving pulley (Front)	1	
10	A9012052	E-Ring (10 dia)	1	
11	KN450300	MH- 601A Proximity switch fixing bracket	1	
12	A9052031	Magnet proximity switch (MH-601A)	1	
13	KU460270	Plate nut (M3)	3	
14	HV4801101380	Timing belt	1	
15	KK480110	V -Roller base	1	
16	HP482950	Roller pin a'ssy A	4	
17	HP483111	Guide rail bearing pin a'ssy B	4	
18	HP483370	Guide rail bearing pin a'ssy B	1	
19	KN450311	V -Pantograph origin point magnet bracket	1	
20	A9052030	Magnet (M-102A-02)	1	
21		Hex, socket bolt M30 x 6		
22		Hex, nut M5		
23		Truss screw M30 x 6		
24		Hex, socket bolt M4 x 15		
25	MT460240	RS-001 Bracket (V-Side)	2	
26		Truss screw M3 x 10		
27		Hex, socket bolt M4 x 18		
28		Hex, nut M8		
29		Hex, bolt M4 x25		
30		Hex, nut M4		
31		Hex, bolt M4 x35		
32		Hex, socket bolt M8 x 20		
33		Hex, nut M6		
34	A9052024	Switch RS-001	2	

From the library of: Diamond Needle Corp

Barudan

㊦ Pantograph drive mechanism VII
(V-Direction•Rear)

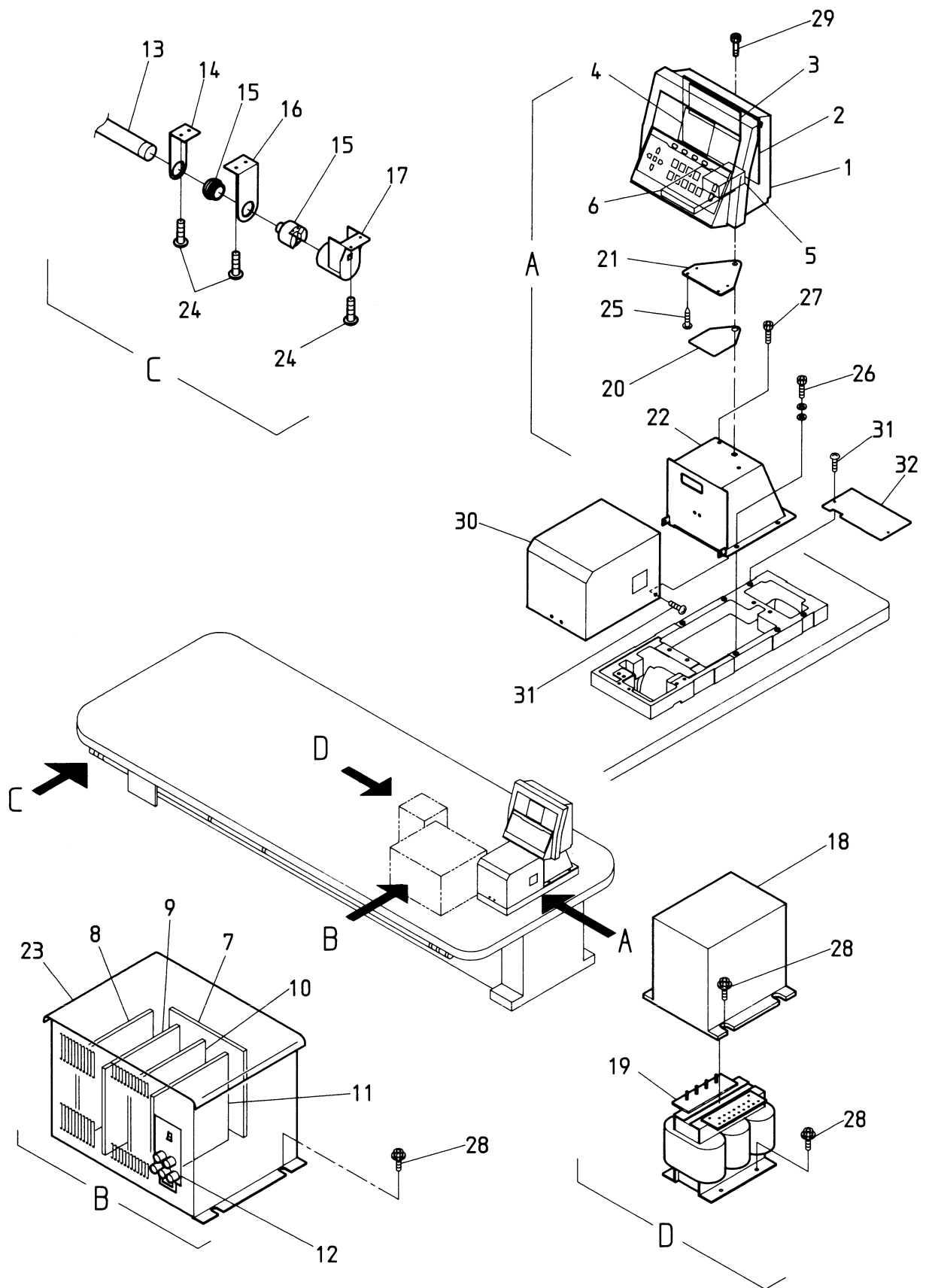


MODEL

BENRME-YN/YS
BENSME-YN/YS

25 Pantograph drive mechanism VII (V-Direction Rear)

ITEM	LIST No	DESCRIPTION	Q'TY	REMARK
1	KV330030	Control unit base	1	
2	KS140040	Bearing bracket (Rear)	1	
3	KN490130	V -Timing belt shaft bearing housing	2	
4	HV480040	Pantograph driving pulley (Rear)	2	
5	HH481980	Clamping 0 1 9	2	
6	KV470030	V -Pulse motor connecting shaft	1	
7	HH481931	Pulse motor coupling	2	
8	KV470020	V -Pulse motor bracket B	1	
9	HV480060	Pulse motor (5M)	1	
10	KV470010	V-Pulse motor bracket A	1	
11	KN490121	Bearing bracket	1	
12	A9011110	Needle bearing HK2016	2	
13	HH481970	Pulse motor connecting shaft collar	2	
14	A9020170	Timing belt	1	
15	HP482940	Timing belt set rack (5M)	2	
16	KN483450	V -Guide rail (L=660)	2	
17	KN480061	Rail base felt (100 x 38 x 6)	2	
18	A9012052	E-Ring (10 dia)	1	
19	HV480050	Pantograph driving pulley (Front)	1	
20	HH481991	Timing pulley shaft	1	
21	HH482110	pulley shaft bolt cap	1	
22	KR480060	H - V -Guide front pulley bracket	1	
23	HP482950	Roller pin a'ssy A	4	
24	KV480170	V -Guide rail base (Stroke 480)	1	
25	KK480020	V -Guide rail base (Rear)	1	
26		Hex, socket set screw M5x8		
27		Hex, socket bolt M4 x 10		
28		Hex, socket bolt M5 x 18		
29		Hex, socket bolt M6 x 25		
30		Hex, socket bolt M5 x 12		
31		Hex, socket bolt M4 X 10		
32		Hex, nut M5		
33		Hex, socket bolt M3 x 6		
34		Hex, socket bolt M4 x 15		
35		Hex, bolt M4 x 35		
36		Hex, nut M4		
37		Hex, socket bolt M8 x 20		
38		Hex, socket bolt M8 x 25		
39		Hex, bolt M4 x 25		
40		Hex, nut M8		
41		Hex, socket bolt M4 x 18		
42		Hex, socket bolt M5 x 18		
43		Hex, socket bolt M6 x 22		
44		Disc spring 6 for hex,socket bolt		

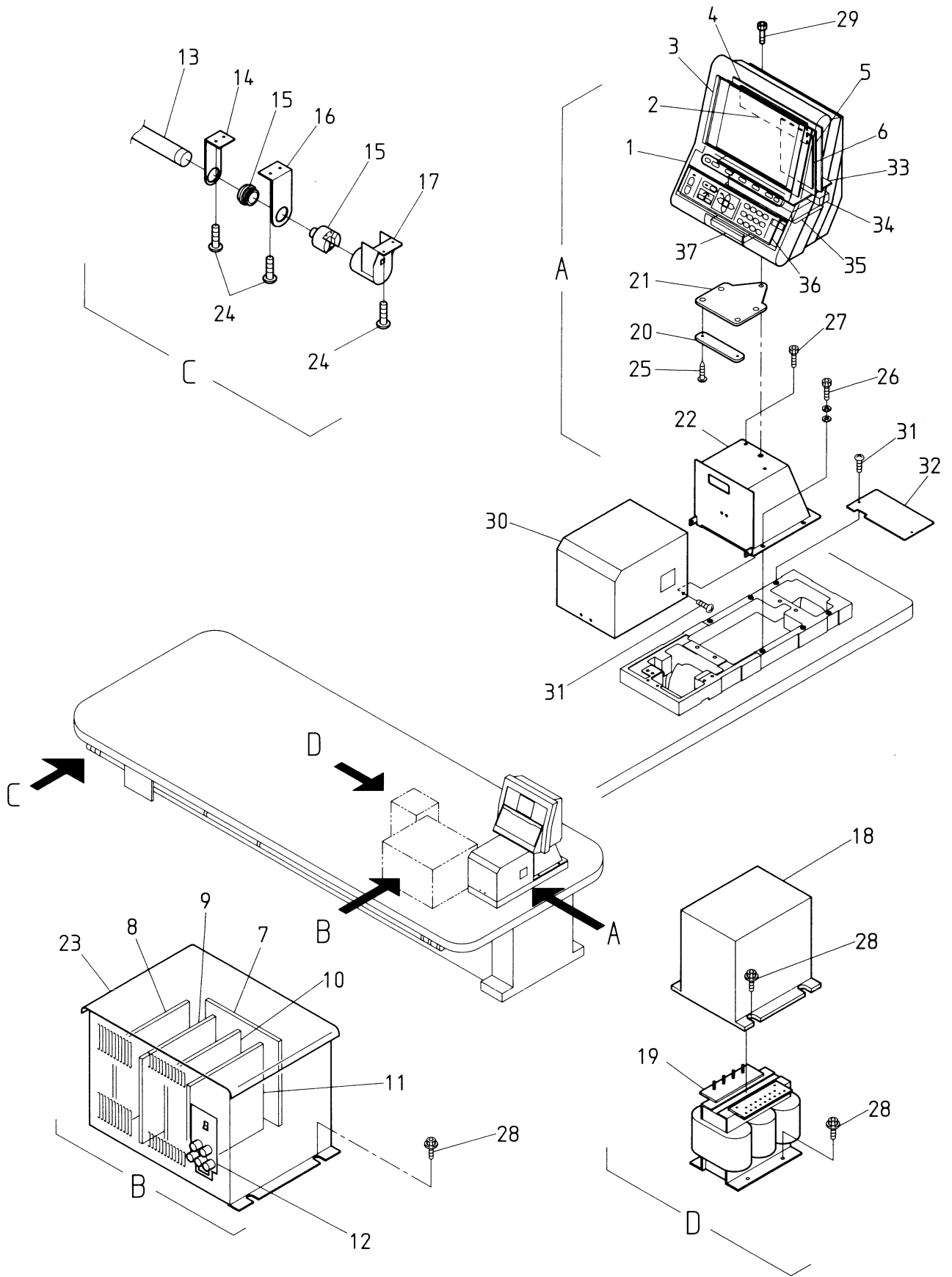


From the library of: Diamond Needle Corp

MODEL **BENRME-YN/YS**
BENSME-YN/YS

26 Control system (NS Type)

ITEM	LIST No	DESCRIPTION	Q'TY	REMARK
1		Automat controller BENS	1	
2	EBY01250	C P U -Board	1	
3	EBY01240	Memory board	1	
4	EBY01260	L C D-Indication vessel	1	
5	EBY01270	Automat sources of electricity	1	
6	EBY01350	Floppy disk drive	1	
7	EBY01330	Back board	1	
8	EBY10310	Pulse motor drive unit	1	
9	EBY01340	Inverter unit	1	
10	EBY01300	C P U -Board	1	
11	EBY01320	Power board	1	
12	EBY01290	Control unit of sources of electricity	1	
13	KF530160	Bar switch	1	
14	KC530240	Bar switch bracket (Small)	5	
15	KF530120	Push button switch NS 319 (Green)	1	
	KF530111	Push button switch NS 319 (Red)	1	
16	KC530230	Bar switch bracket (Large)	4	
17	KF530150	Push button switch cap	1	
18	KC520020	Transformer cover set	1	
19		Automat transformer 3 P	1	
		Automat transformer 1 P	1	
20	HV330011	Automat bracket spacer	1	
21	HV330020	Automat bracket	1	
22	KV330010	Automat base	1	
23		Automat driver	1	
24		Tapping screw M4 x20		
25		Pan screw M4 x 8		
26		Hex. socket bolt M6 x 10		
27		Hex. socket flange bolt M6 x 6		
28		Hex. socket flange bolt M6 x 16		
29		Hex. socket bolt M10 x 20		
30	KV330020	Turning cover a'ssy	1	
31		Truss screw M4 x 6		
32	KV330040	Unit base cover	1	

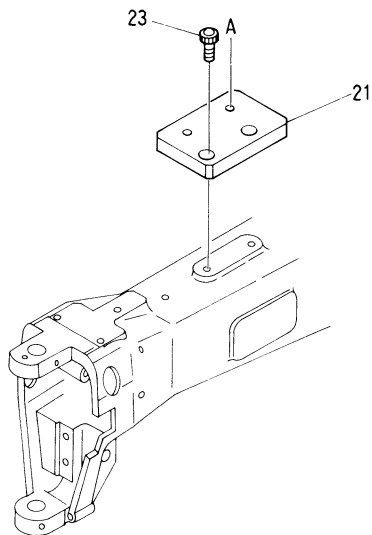
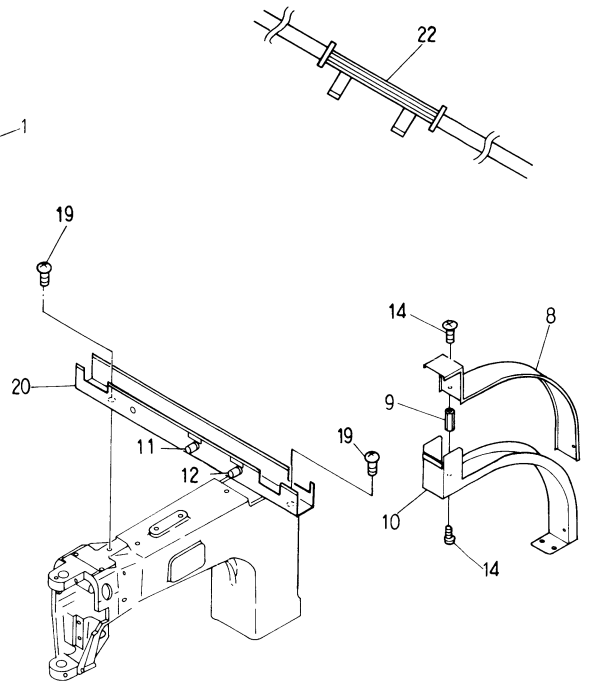
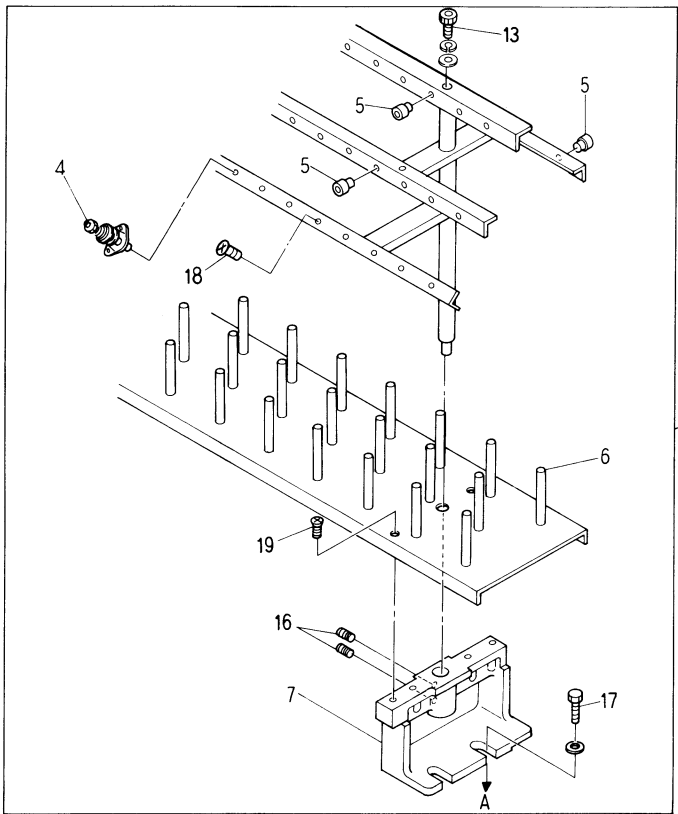
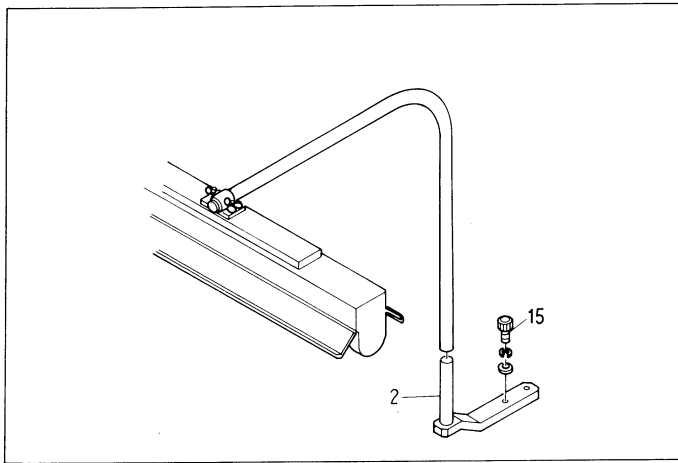


26 Control system (NR Type)

ITEM	LIST No	DESCRIPTION	Q'TY	REMARK
1	EAY038A1	NR-Automat controller	1	
2	EBY01550	5480 690000 stitch memory board BENR	1	
3	EBY01600	TFT-Color LCD LQ-10D02T BENR	1	
4	EBY01540	5421 1/0-Board BENR	1	
5	EBY01530	5411 CPU-Board BENR	1	
6	EBY01580	5470 Back right board BENR	1	
7	EBY01330	Buck-Board	1	
8	EBY10310	Pluse motor drive unit	1	
9	EBY01340	Inverter unit	1	
10	EBY01300	CPU-board	1	
11	EBY01320	Power-board	1	
12	EBY01290	Power control unit	1	
13	KF530160	Bar switch	1	
14	KC530240	Bar switch bracket (small)	5	
15	KF530120	Push button switch NS319 (Green)	1	
	KF530111	Push button switch NS319 (Red)	1	
16	KC530230	Bar switch bracket (large)	4	
17	KF530150	Push button switch cap	1	
18	KC520020	Transformer cover set	1	
19		Automat transformer 3 P	1	
		Automat transformer 1 P	1	
20	HV330010	Automat base	1	
21	HV330040	Automat bracket	1	
22	KV330010	Automat base	1	
23		Automat driver	1	
24		Tapping screw M4 x 20		
25		Tapping truss screw M3.5x8		
26		Hex. socket bolt M8 x20		
27		Hex. socket flange bolt M6 x 20		
28		Hex. socket flange bolt M6 x 12		
29		Hex. socket bolt		
30	KV330020	Turning cover a' ssy	1	
31		Truss screw M4 x 6		
32	KV330040	Unit base cover	1	
33	EBY01560	5452 B/B board BENR	1	
	EBY01410	5452 B/B board BENR	1	
34		Inlet GL-2030HI	1	
35	EBY01590	Switching power supply MRW160 BENR	1	
36	EBY01570	5460 Switch relay board BENR	1	
37		FDD FD-05HG-261	1	

Barudan

27 Option



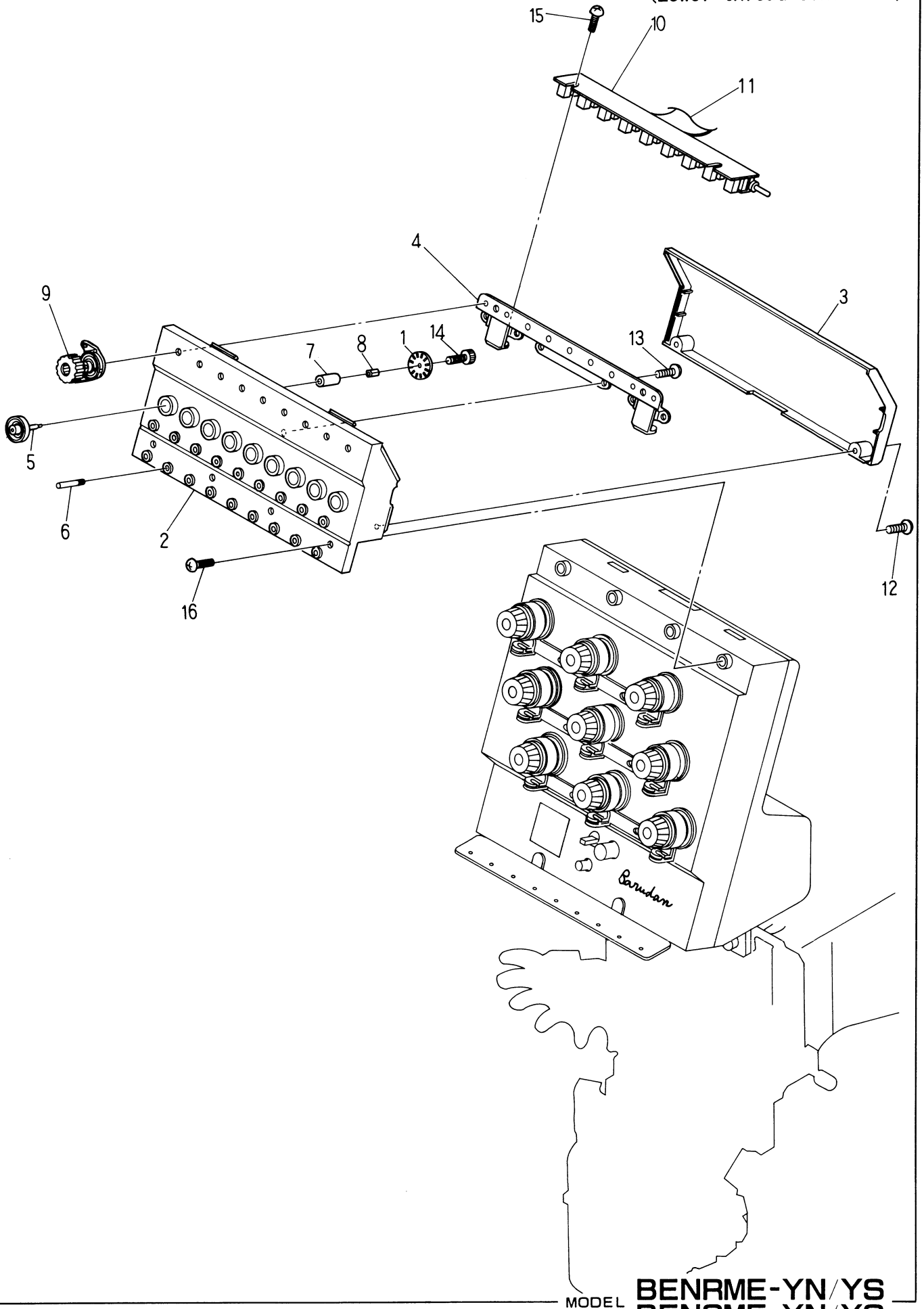
MODEL **BENRME-YN/YS**
BENSME-YN/YS

27 OPTION

ITEM	LIST No	DESCRIPTION	Q'TY	REMARK
1	ZA100327Y	Fluorescent lamp set (replaced with underhead)	1	For 12head
	ZA100334Y	Fluorescent lamp set (replaced with underhead)	1	For 15head
2	A400002B	Fluorescent lamp stand base	2	
3	A200131A	Spool holder (12T P=380 YS)	1	
	A200131B	Spool holder (12T P=380 YS)	1	
	A300136A	Spool holder (15T P=380 YS)	1	
	A300136B	Spool holder (15T P=380 YS)	1	
4	HP241430	Second tension unit complete (D=13.5)		
5	KF240900	Thread guide ceramic (For spool stand)		
6	HT710000	Spool holder pin	H x 9	
7	HP710791	Spool holder base	6	15
8	KR510130	Cable duct No. 4 cover	1	
9	MT510791	Nut for cable duct	2	
10	KR510120	Cable duct Na 4	1	
11	A9052036	Push button switch SB-221N/D OFF Red		
12	A9052032	Push button switch SB-221N/O ON Green		
13		Hex, socket bolt M8 x 45		
14		Pan screw M4 x 6		
15		Hex, socket bolt M6 x 15		
16		Hex, socket set screw M5 x 8		
17		Hex, bolt M8 x 20		
18		Flush screw M5x6		
19		Flush screw M4 x 12		
20	1UKS12380	Duct cable (BENSME-12)	1	
	1UKS15380	Duct cable (BENSME-15)	1	
21	KR330160	Spool holder spacer		
22	2DKV12380	Flat cable NS-12 P380	1	Choice and use
	2DKV15380	Flat cable NS-15 P380	1	Choice and use
23		Hex, socket bolt		

Barudan

⑳ Thread guide mechanism
(Lower thread sensorium)

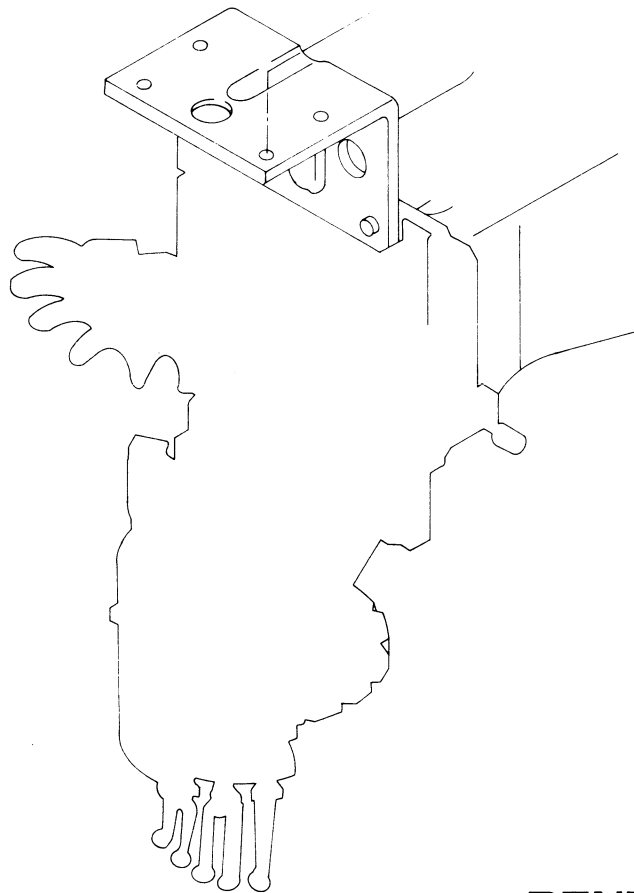
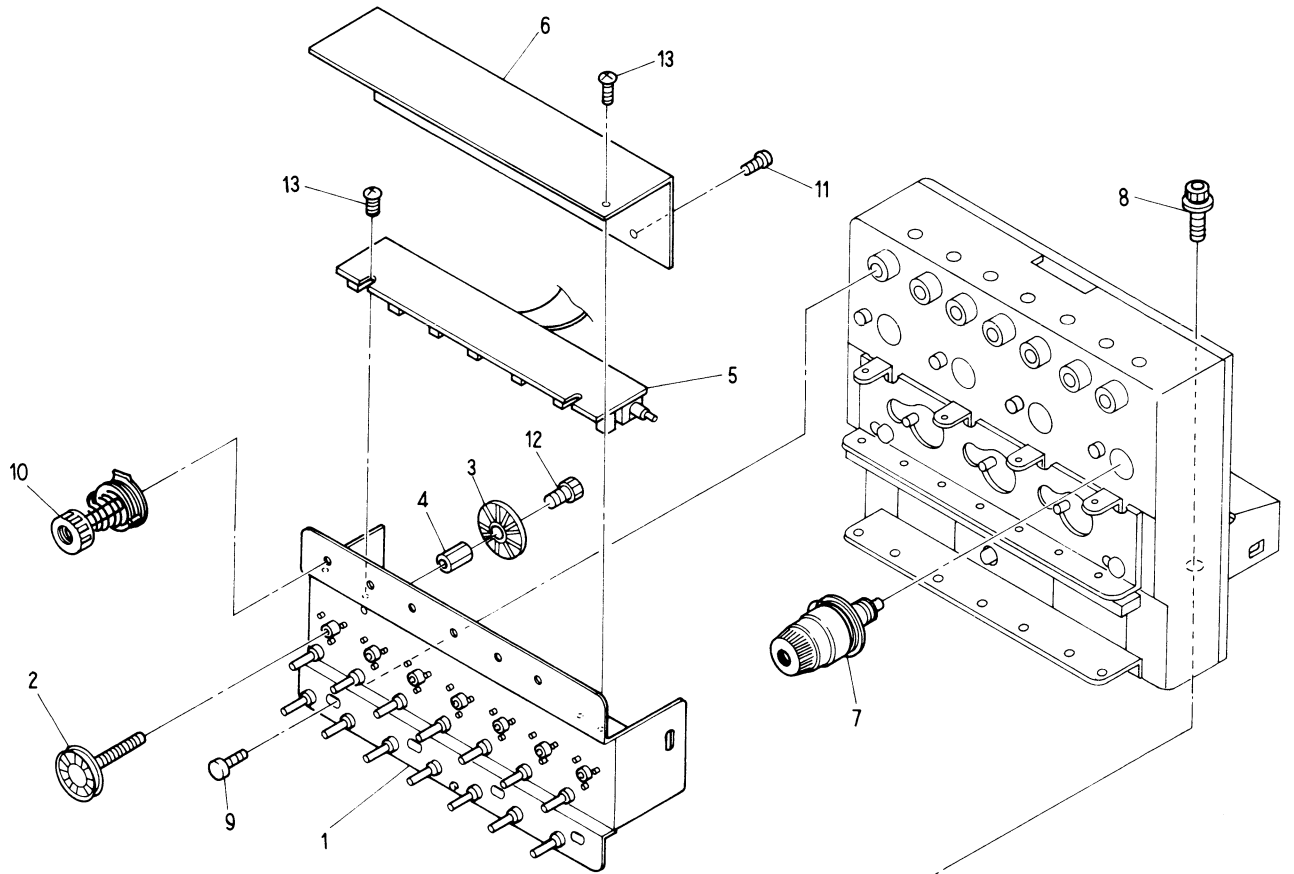


From the library of: Diamond Needle Corp

MODEL BENRME-YN/YS
BENSME-YN/YS

Barudan

②⑧ Thread guide mechanism
(Lower thread sensorium) (YS use)



MODEL **BENRME-YN/YS**
BENSME-YN/YS

